

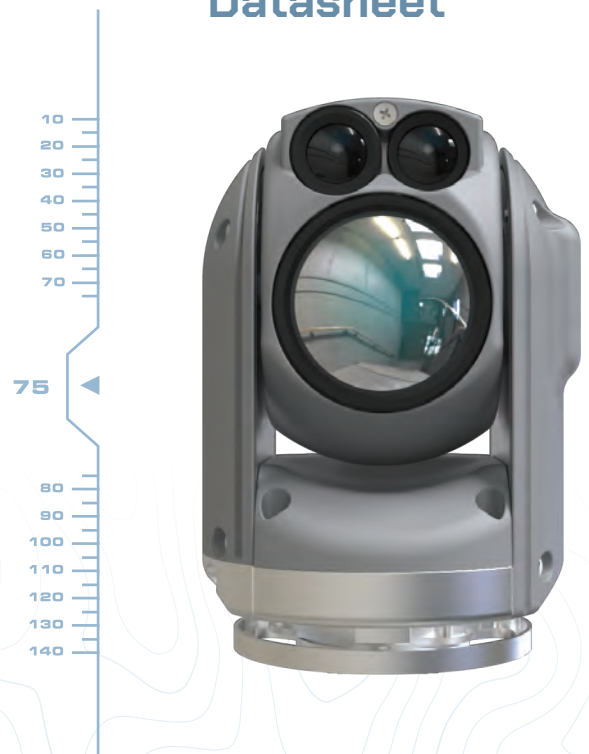
Field-proven stabilized camera for defense, security, and industrial applications.

About the Nighthawk-2UZ

The Nighthawk-2UZ is a dual EO-IR camera built for professionals that need a high-end camera for long range observation with high-res day & night vision. Weighing just 320 grams (12.4 oz.), the Nighthawk-2UZ offers unmatched image quality to capture detailed imagery, such as license plates and faces.

The Nighthawk-2UZ is part of a family of EO/IR sensors, leading in the field of micro stabilized gimbal cameras, offering a wide range of field-proven stabilized cameras and accessories with unmatched performance.

The Nighthawk-2UZ stabilized gimbal camera is seamlessly integrated into our UAV systems.



VISUAL ZOOM

X40

THERMAL RESOLUTION

1280 x 720



Tel: +31 (0)344 607968
Mail: info@heighttechnologies.com
Web: www.heighttechnologies.com



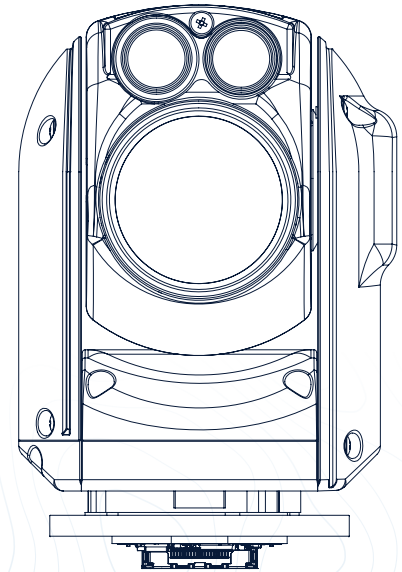
Publication note

This manual is covering the latest product descriptions and specifications. The contents of this manual and the specifications of this product are subject to change without notice.

Specifications

Visible camera	Visible 400-700 nm Resolution: 1280x720 Zoom: x40 continuous (x20 optical + x2 digital) HFOV: 60° WFOV - 3° NFOV - 1.5° DFOV
Thermal camera	LWIR uncooled (8-14 μ m) Resolution: 1280 x 720 Zoom: x4 digital, continuous zoom HFOV: 25° WFOV - 6° DFOV
Field of regard	Pan: 360° (non continuous) Tilt: -45° to +80°
Control interface	RS-232
Video interface	Micro HDMI
Stabilization level	< 70 μ rad
Angular velocity	Up to 105°/sec
Power requirement	15-32 VDC
Power consumption	10 Watt
Dimensions	Diameter: 64mm [2.5"] Height: 94mm [3.7"]
Weight	350 grams [12.35 oz.]
Temperature	-20°C [-4°F] to +55°C [+131°F]

94 mm



64 mm

