

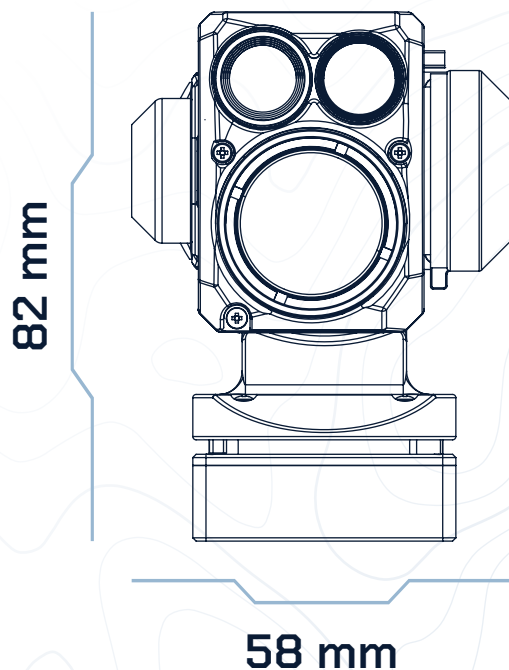
Compilation and Publication Notice

This manual is covering the latest product descriptions and specifications. The contents of this manual and the specifications of this product are subject to change without notice. Height Technologies reserves the right to make changes without notice in the specifications and materials contained herein and shall not be responsible for any damages (including consequential) caused by reliance on the materials presented, including but not limited to typographical and other errors relating to the publication.

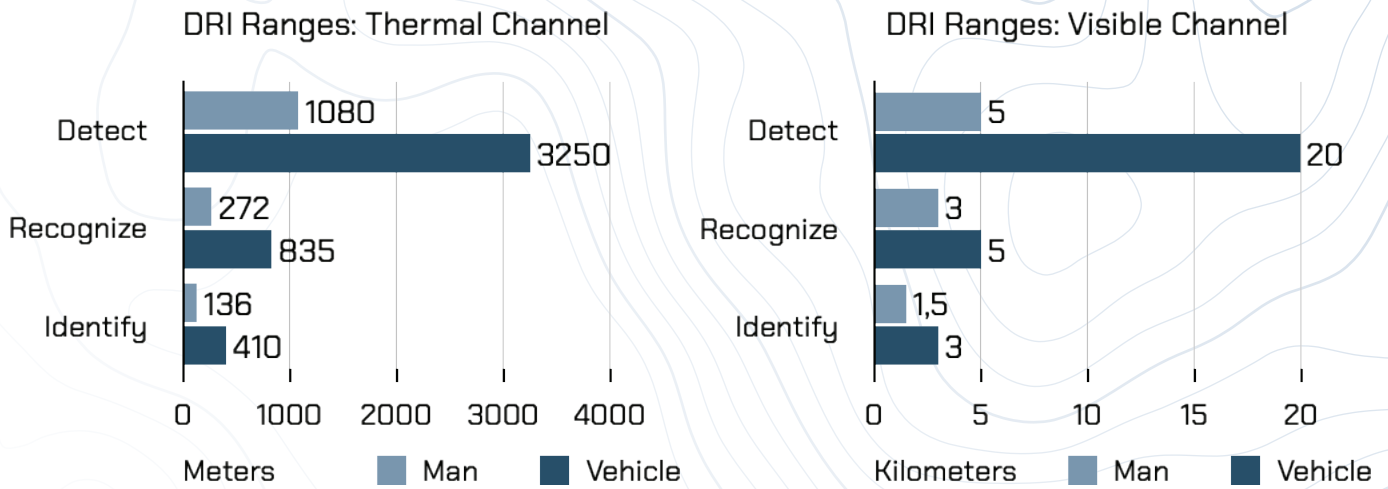
For further information please contact
HEIGHT TECHNOLOGIES
info@heighttechnologies.com

Field-proven stabilized camera for defense and public safety operations.

The Starling is a dual EO-IR 3-axes stabilized camera with a weight of just 180grams. The Starling delivers unparalleled performance in a compact system. It is designed for low weight platforms that have a limited energy capacity, resulting in extended mission time with optimized day & night vision.



DRI Ranges



Specifications

Visible Camera configuration I	Visible 400-700 nm Resolution: 1280 x 720 Zoom: x20 + x2 digital, (total x40) continuous zoom HFOV: 60° WFOV – 3° NFOV – 1.5° DFOV
Visible Camera configuration II	Visible 400-700nm Resolution: 1920 x 1080 Zoom : x13 + x2 digital, (total x26) continuous zoom HFOV: 60° WFOV – 4.5° NFOV – 2.2° DFOV
Thermal Camera	LWIR uncooled (8-14µm) Resolution: 640 x 480 Zoom: x4 digital, continuous zoom HFOV: 18° WFOV – 4.5° DFOV
Field of regard	Pan: 360° (non continuous) Tilt: -45° to +135° Roll: -45° to +45°
Control Interface	RS-232
Video Interface	HDMI
Stabilization	< 70 µrad
Power Requirement	12-32 VDC
Power Consumption	10 Watt (Typical)
Dimensions	Diameter = 58 mm Height = 82 mm
Weight	170 grams
Environmental	IPx4
Temperature	-20°C [-4°F] to +55°C [+131°F]