



GCS MkII

Odyssey
COMPATIBLE
BY SKY-HERO

Tactical Handheld Controller

SMALL AND ROBUST GROUND CONTROLLER WITH HIGHLY INTUITIVE CYBERSECURE INTERFACE TO CONTROL AND MONITOR MULTIPLE UNMANNED VEHICLES AND ACTIVATE THEIR PLUG-IN PAYLOADS AND SENSORS

Ruggedized and very lightweight, designed to fit operator's bodyworn equipment, the **GCS MkII** has an intuitive control interface delivering the best viewing experience for any pilot in any lighting environment.

It has been conceived as the ideal tactical controller to manage flights and/or drives and collect intel during challenging operations.

On top of not being connected to any public network, the GCS MkII uses a strong encryption algorithm to secure data related to control of unmanned vehicles and activation of payloads; making it virtually unhackable.



Up-to 4 sUAV/sUGV

Control in parallel of up-to 4 vehicles giving a single operator multiple tools to collect intel



Ergonomic

With no protruding parts, the GCS can easily fit into any operator's pocket or on his chest in his custom-made cover



Indoor RF Efficiency

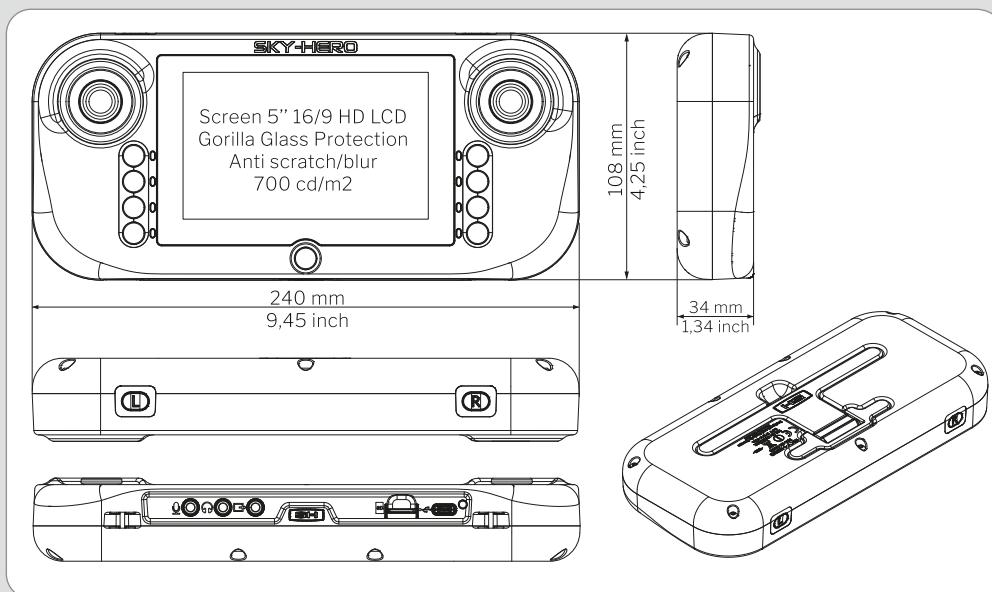
The GCS embeds top-in-class RF technology that offers the best range for interior and out-of-sight operations whatever the obstacles



No Public Networks

Purpose built flight controller that does not require internet service, GPS, or a phone or tablet for deployment

#1 BLUEPRINT



#2 SPECS

Autonomy	200 min.
Weight battery incl.	640 gr 1,41 lb
Ops Temperature	-20°C to 50°C -4°F to 122°F
Power Supply	Li-Ion 6300 mAh Embedded Battery 3,7V

Video Reception

- 99 db dual ISM receivers 5,8 Ghz
- Embedded 9 dbi ceramic array antenna
- FPGA scrambled

Command & Control

- 868-915 UHF
- AES256 encrypted

Connector

- USB-C main connector
- Audio out jack 3,5 mm
- Audio-video out/in jack 3,5 mm

#3 FEATURES

- Robust against any communication delay and offering progressive signal degradation, our GCS provides the operator with **steady and reliable AES 256 encrypted control** of the unmanned vehicles
 - Deployable antennas, integrated joysticks, **all aspects completely flush with outer structure**
 - **Diversified analog audio-video receptors**, running a 8 bit FPGA scrambling while avoiding any lag or frozen pictures
 - **No cellular network, GPS, applications or smartphones required**
 - Audio-video RCA output
 - **Wireless observer mode** for team leader
 - Multi GCS cooperative mode (wired or wireless)
 - SD port for software revision and upgrades

Enhance the safety of indoor missions

#4 ADD-ONS

- Waterproof tailor-made holster (up to 10m)
- **Wired Trigger Remote** to delegate payload activation to a second operator



GET IN TOUCH

contact@sky-hero.com
www.sky-hero.com

12 Allée de la Recherche
B-1070 Brussels - BELGIUM

in company/sky-hero-sa
YouTube SKY-HERO

