



## sUAV Recon System

**Odyssey**  
COMPATIBLE  
BY SKY-HERO

### RUGGEDIZED SMALL TACTICAL QUADCOPTER DESIGNED FOR SHORT-RANGE RECONNAISSANCE IN DARK INDOOR OBSTACLE-RICH ENVIRONMENTS AND GPS-DENIED AREAS

The **Loki MkII** is the most incredible indoor small tactical UAV system in the world, fully purpose built for close quarter, under-roof, tactical scouting missions.

Operating in congested and dark environment, its purpose is to place a microphone and a camera practically anywhere to collect critical life-saving intelligence of immediate threats ahead of a team.

It enables reliable and rapid situational awareness for precise decision making, while maximizing the team's safety.



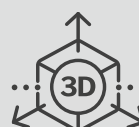
#### Impact Resistant

Body structure made of impact resistant polycarbonate, based on high-pressure mold injection process



#### Accurate Detection

Forward-facing ultra low light, day/night camera with 150° wide angle field of view, without fisheye



#### 3D Position Hold

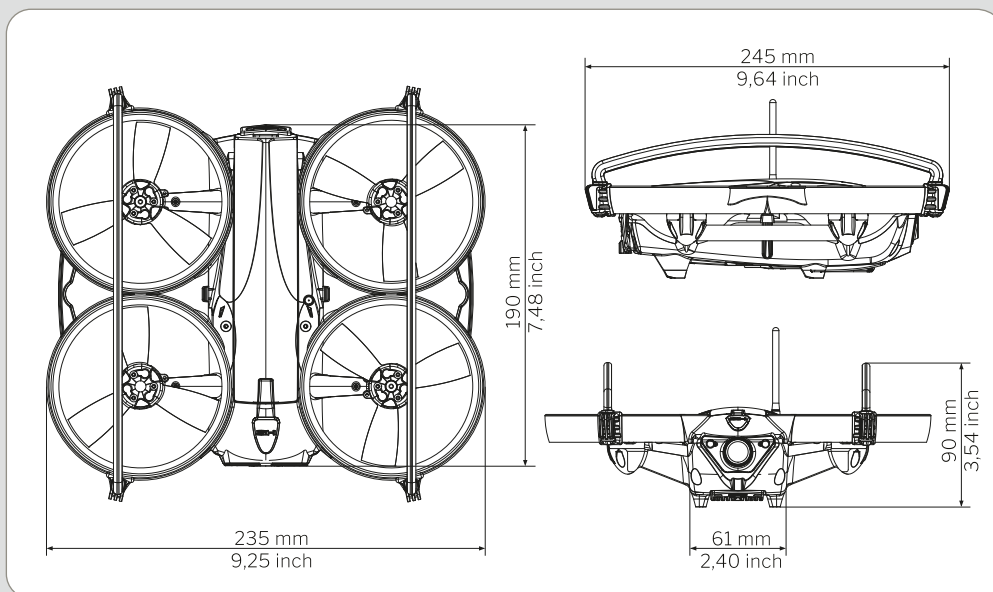
GPS-like position hold using complex algorithms based on advanced computer vision



#### Field Proven

Deployed by 1000+ tactical teams worldwide on multiple fields of operations

## #1 BLUEPRINT



## #2 SPECS

Average Speed	10 m/s   20 kt
Flight Endurance	15 min
Sentry Endurance	200 min
Avg. Range	LOS 1,6 km   1 mi NLOS 150 m   164 yd
Weight w/o battery	380 gr   0,83 lb
Payload max weight	150 gr   0,33 lb
Ops Temperature	-20°C to 50°C -4°F to 122°F
C&C Encryption	AES-256
Frequencies	C&C: 868/915 MHz A/V: 5.8 GHz
Power Supply	LiPo3S 2400mAh Replaceable   <15 sec

### Basic equipment

6-axis IMU, Barometer, Sonar, Optical Flow, EO/IR Camera, HD Mic, 4x IR LEDs

## #3 FEATURES

- Rapid deployment design allowing for **hand thrown take-off**, and precise assisted landing
  - Optimized modes for indoor operations, such as **Floor** (rover style), **Turtle** (smart directional flip) ...
    - Precise 3D position hold **without GPS**, even in total darkness
    - **Self-generated independent communication** networks offering complete cybersecurity
    - Intuitive and simplified piloting using automatic **altitude hold & speed control** functions
    - **Analog audio/video signal**, scrambled via FPGA, which prevents lag or screen freezes
      - Dimmable and selectable **IR LEDs** on front and bottom providing flight stability, video clarity NVGs lighting without typical snowflake effect
      - Complete telemetry data, performance indicators for sensors, and estimated remaining flight time on pocket-fit **multi-sUV Ground Controller** display

## A game changer for interior deployments

## #4 ADD-ONS

- Additional hardpoint for **payloads, sensors, and actuators**
  - **Tactical Watch Screen** to feed entire team with sUAV A/V intel
    - Custom **backpack and pouch**



## GET IN TOUCH

contact@sky-hero.com  
www.sky-hero.com

12 Allée de la Recherche  
B-1070 Brussels - BELGIUM

in company/sky-hero-sa  
YouTube SKY-HERO

