

COMING SOON



Payload

Light Distraction System

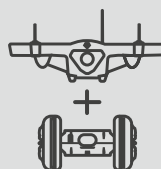
ODYSSY
COMPATIBLE
BY SKY-HERO

POWERFUL MULTI FUNCTION LIGHT DISTRACTION PAYLOAD WHICH CAN BE HOOKED TO ODYSSY COMPATIBLE sUAV/sUGV AND PROVIDE THEM WITH SEVERAL LIGHT AND LASER CAPABILITIES

Additional advanced technologies are often required to successfully achieve tactical objectives in complex under roof environments. For such situations, our sUGV and sUAV can increase their operational capabilities by carrying dedicated Odyssey compatible payloads.

Light distraction Payload embeds multiple powerful light sources, packed in a small rugged aviation-grade aluminium shell. The extremely powerful forward-facing torch or strobe white LED, the green laser pointer, and the fully programmable RGB LEDs will provide a strong tactical advantage from a safe distance.

The control software for this payload is fully integrated into our Odyssey compatible controller, **GCS MkII**.



Fits All Devices

The payloads can be used indiscriminately on both unmanned vehicles, **Loki MkII** and **Sigyn MkI**



Plug and Go

Easy to install without tools and immediately operational thanks to Sky-Hero' self-adaptative algorithms and control features



Multifunctional

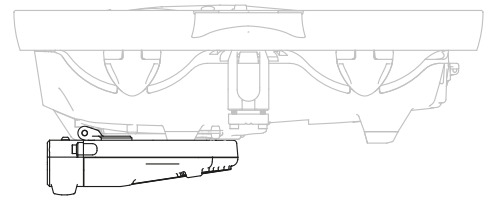
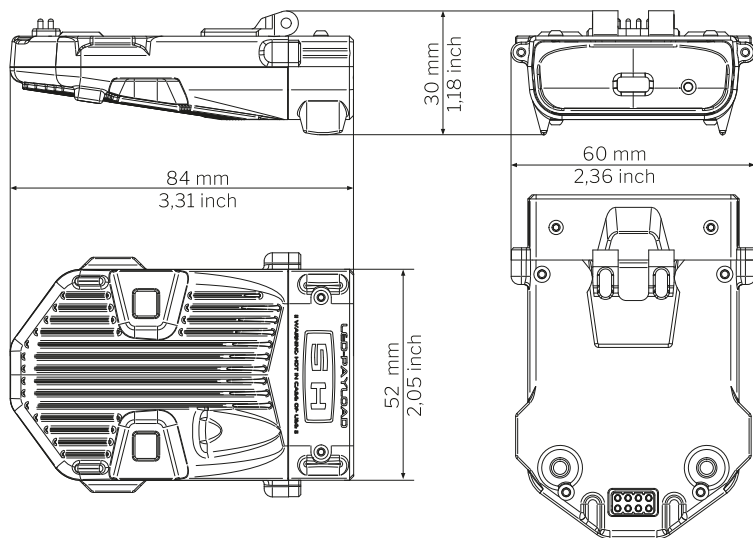
Distraction capabilities provided by strobe light; and operational assistance thanks to the blinking RGBs and the embedded laser



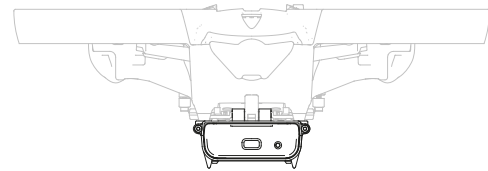
Light Design

Specifically designed to be hooked onto mobile platforms where weight and unnecessary complexity is kept to a minimum.

#1 SKY-HERO PAYLOAD CRADLE & VEHICLES HOOKING



Light Distraction Payload mounted on **Loki MkII** Tactical sUAV



Weight sUAV Hook 26 g | 0,06 lb

Weight Cradle 93 g | 0,20 lb

Body material Aluminium & Polycarbonate

#2 LEDs & LASER TECHNICAL DETAILS

White LED
for spotlight & strobe modes

Luminous Flux 1880 lm
Electrical Power 15,1 W

LASER
for designation mode

Color Green (505-530 nm)
Spot Size < 4,5 mm | 1,77 inch
Dimension 0 10x18 mm
Output Power < 4mW

RGB LEDs
for signaling mode

Red Luminous Flux max 280 lm
Green Luminous Flux max 560 lm
Blue Luminous Flux max 250 lm
White Luminous Flux max 710 lm

Bright lightning where you need it the most

#3 IN OPERATION

Our light distraction payload opens new possibilities to unmanned vehicle operators in a wide range of applications. It not only brings visible light to dark areas, it can temporarily blind and confuse a suspect, help to chase him in total darkness, save time helping collect evidence that would be difficult to see inside dark places. But also, designate objects or people using the green laser pointer and communicate with your team or a K9 through pre-set RGB light patterns.

Mount it on our **Loki MkII** or **Sigyn MkI** to reach remote risky environments and help your team solving complex missions.



GET IN TOUCH

contact@sky-hero.com
www.sky-hero.com

12 Allée de la Recherche
B-1070 Brussels - BELGIUM

in company/sky-hero-sa
YouTube SKY-HERO

