

COMING SOON



Odyssey  
COMPATIBLE  
BY SKY-HERO

# Monitor

## Tactical Wearable Screen

**ROBUST AND SMALL MULTICHANNEL MONITOR PROVIDING EACH MEMBER OF THE FIRST RESPONDER TEAM WITH A HIGH RESOLUTION 2.7 INCH SCREEN MOUNTABLE ON ARM OR ANY SUPPORT TO ALLOW HANDS FREE OPERATION**

Once secured on the wrist, this extra small screen allows to visualize the video and audio intel live-streamed by up to 4 separate unmanned systems - **Loki MkII** and **Sigyn MkI** - whether in motion or in sentry mode.

Thanks to this additional monitor, each member of the assault team will be fed, in real time, the audio-video intel from all vehicles currently deployed by the pilot.

Real-time transmitted A/V information greatly facilitates tactical transmission, enhance the situational awareness and enables a faster response to encountered hazards.



### Up to 4 Streams

By pressing the 4 channel buttons, an agent can easily switch between the A/V live stream transmitted by the deployed vehicles



### Sturdy Frame

Built out of high-grade aluminium and polycarbonate and protected with a 1.0mm Corning Gorilla Glass screen for extra durability



### Bodyworn Design

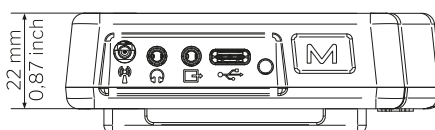
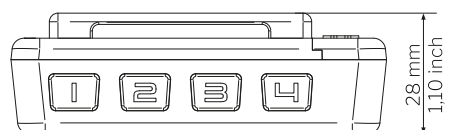
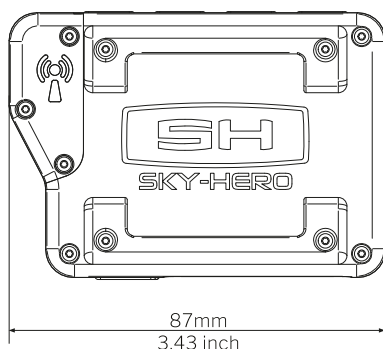
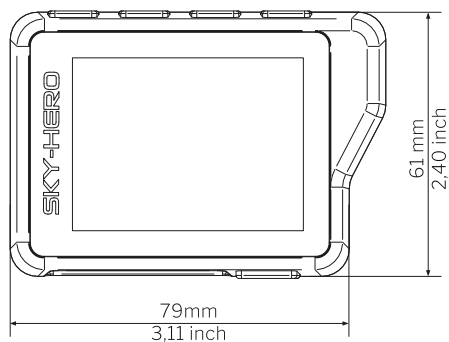
Ergonomic shape and fastening systems to be wrist-worn in perfect combination with other tactical gears



### Better Assessment

Live shared A/V intels are a great asset in improving safety and efficiency of tactical teams

## #1 BLUEPRINT



## #2 SPECS

Monitor Weight	145 g   oz
Power Supply	Li-ion Cell 3.7V
Embedded & Rechargeable	1800mAh
Run time	150 min
Housing Material	Polycarbonate & Aluminium
Ops Temperature	-20°C to 50°C -4°F to 122°F
Frequency Range	Same as main control station
Video Descrambling	FPGA 8 Bit
Avg. Range	LOS 1,6 km   1 mi NLOS 150 m   164 yd
Monitor Diagonal Size	2,7 inch
Monitor Resolution	960x240 px
Connections	Power USB-C Audio-Video Out jack 2.5 Headphone jack 2.5 Ext. antenna MMCX

## #3 IN OPERATION

- **External mmcX antenna connector** for increased range or departed antenna
  - Universal attachment system with **multiple mounting possibilities** : armwatch, picatinny rail, second screen on your gcs ...
  - 4 easily accessible buttons which give **quick access to pre-programmed frequencies** and enable instant switch between the feed of **up to 4 deployed vehicles**
  - **Easy to use visual interface** to change the preprogrammed frequencies or modify the screen parameters
  - Equipped with **Sky-Hero's 8-bit FPGA de-scrambling capability**
    - Embedded with 2 jack connectors to plug headphones for audio feed and to stream out the Audio/Video feed
    - USB-C connector for charging the embedded battery or connecting an external battery

**Be aware of what's hiding behind the corner !**



### GET IN TOUCH

contact@sky-hero.com  
www.sky-hero.com

12 Allée de la Recherche  
B-1070 Brussels - BELGIUM

in company/sky-hero-sa  
yt SKY-HERO

