



NarfiTM MK1

Pole Camera Head

Odyssey
COMPATIBLE
BY SKY-HERO

A LIGHTWEIGHT, REMOTE-CONTROLLED, POLE-MOUNTED OR STAND-ALONE IR/COLOUR PERIMETER SURVEILLANCE DEVICE TO RESPOND QUICKLY TO EMERGING RECON REQUIREMENTS

Designed for both day and night operations, our modular video surveillance system gives tactical operators an additional powerful tool for covert investigations by quickly detecting threats.

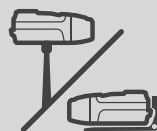
Narfi Mk1 wireless tactical pole camera extends the tactical inspection with its extreme low light sensitivity and IR mode for night vision. It also features an omni-directional microphone. All in a compact, ruggedised body with an embedded payload connector to plug and control Sky-Hero's interchangeable payloads.

Audio/video feeds from Narfi Mk1s are streamed wirelessly to Sky-Hero's **GCS MkII** and deployed **tactical wearable screen**. While Narfi can be controlled wirelessly by a GCS, its basic functions can also be activated via a wired wearable screen.



Secured Wireless

Trusted A/V transmission & camera control without any cables. Operable in wifi, 4/5G network-denied areas



Mounted or detached

Mounted on telescopic pole with extending capability up to 3 m | 9,8 ft or detached to be clamped on gear or glued in sentry mode on a wall



Operational assistance

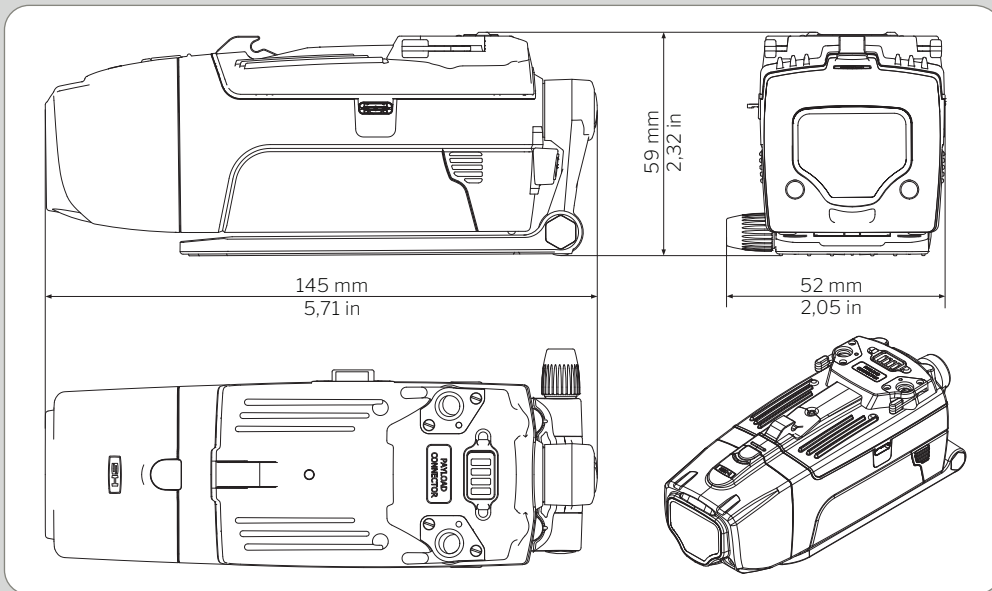
Additionally to video and audio capture capabilities, distractive sound and light payloads can be plugged directly on the camera head



Multiple Controllers

Full wireless control via the GCS MKII & basic setup via a cable-connected Tactical Wearable Screen

#1 BLUEPRINT



#2 SPECS

Image Sensor	1/2 in" CCD
Min. Illumination	0.0001 Lux
Lens & View Angle	150°
Burst Level	0.3Vp-p-0.33Vp-p
Weight w/o battery	375 gr 13,2 oz
Ops Temperature	-20°C to 50°C -4°F to 122°F
Encryption	AES-256
Frequencies	C&C: 868/915 MHz A/V: 5.8 GHz
Power Supply	2x Li-Ion 3000mAh Replaceable <30 sec
Runtime	300 min. int. battery

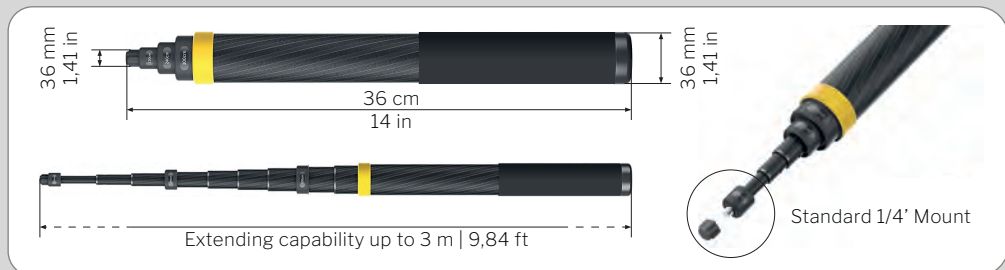
Basic equipment

1x EO/IR Camera,
HD Microphone, 2x IR LEDs

Material	Carbon fiber
Weight	365 g 12,8 oz
Mount	Standard 1/4" screw

Features

Easy to carry and store
Extendable to any length
Comfortable rubberized handle



#3 FEATURES

- Full vision via **night/day camera with a 150° viewing angle** coupled with dimmable IR LEDs leaving no room for blind spots in full light or total darkness
- **Analog audio/video signal**, scrambled via FPGA, streamed to the main remote controller*, GCS MkII

*Tactical Wearable Screen acts as limited controller once wired through USB-C cable

Quickly clear rooms visually before entering

- **Self-generated independent communication networks** offering complete cyber-security
- **Built-in mounting system** allowing the camera to be pointed in any direction regardless of the attachment point
- **Tactical Wearable Screen** to feed entire team with pole camera A/V intel
- Optimized mode for **stealth** indoor operations



GET IN TOUCH

contact@sky-hero.com
https://sky-hero.com

12 Allée de la Recherche
B-1070 Brussels - BELGIUM

in sky-hero-sa
YouTube SKY-HERO
Instagram skyherotacticalrobots

