

SILVUS

TECHNOLOGIES

StreamCaster MIMO MANET RADIOS

ACCESSORY CATALOG



LEADING THE MIMO REVOLUTION

Silvus Technologies - Proprietary & Confidential

How to use this Accessory Catalog

StreamCaster MANET Radios come with both standard and exclusive accessories. To simplify your search for the right accessory, we've categorized them by radio and accessory type. You can either view the available accessories for each radio by visiting its corresponding page, or browse through all accessory options by accessory type.

Table of Contents

Radios

SC4200EP-BB Battery Powered.....	1
SC4200EP-EB Externally Powered.....	2
SC4400E.....	3
SL4200.....	4

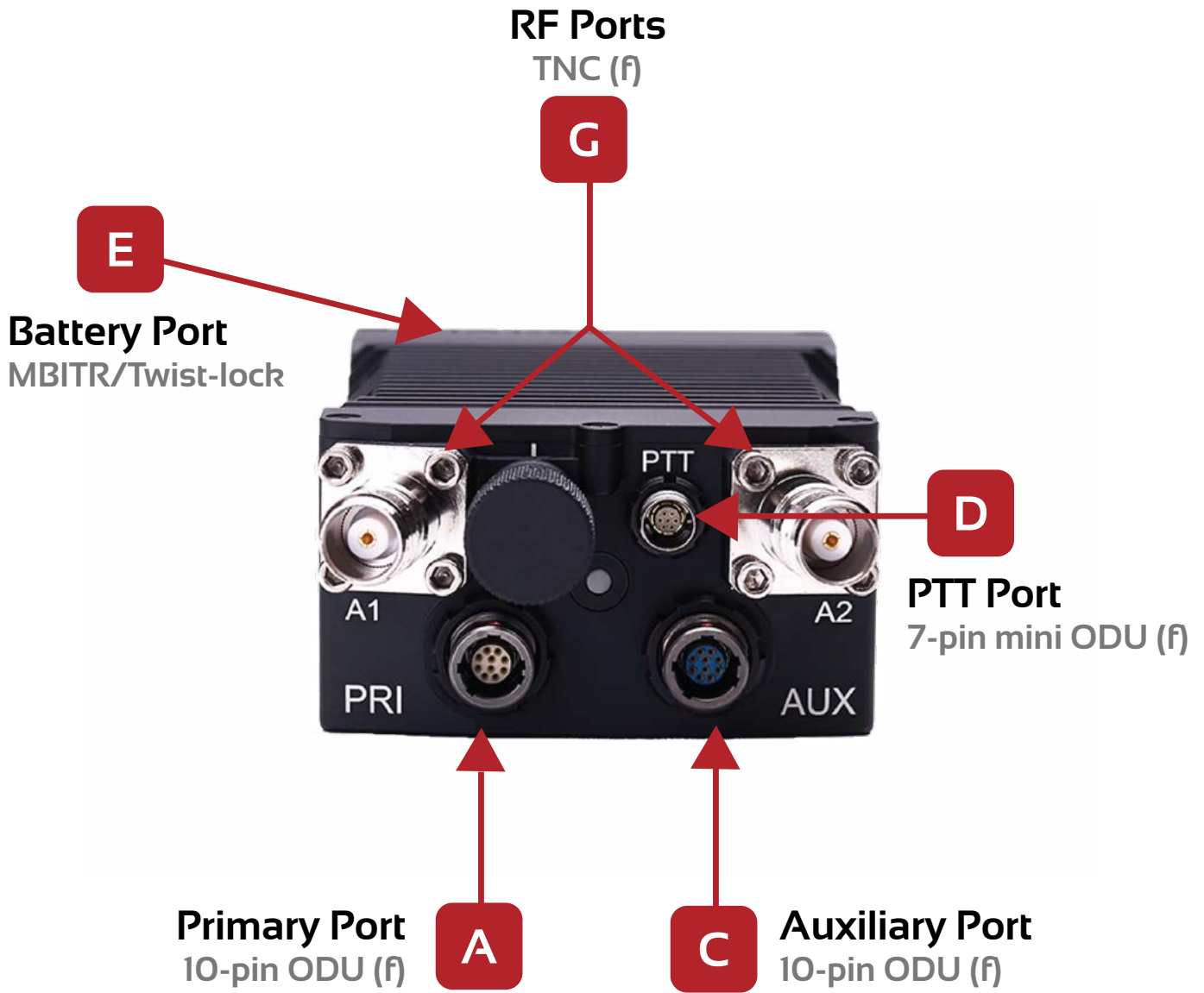
Accessories

SC4200EP-BB Primary Port Accessories.....	A
SC4200EP-EB; SC4400E Primary Port Accessories.....	B
Auxiliary Port Accessories.....	C
Push-to-Talk (PTT) Accessories.....	D
SC4200EP-BB Battery Port Accessories.....	E
SL4200 Side Connector Cables.....	F
RF Cables and Coaxial Goosenecks.....	G
Low Gain Dipole Omni Antennas.....	G1
Medium Gain Dipole Omni Antennas.....	G2
High Gain Dipole Omni Antennas.....	G3
2x2 MIMO Omni Antennas.....	G4
Miniature Blade Antennas.....	G5
Cylindrical Sector Antennas.....	G6
MIMO Sector Antennas.....	G7
Patch Antennas.....	G8
RS232 Accessories.....	H
Ethernet Accessories.....	I
USB Accessories.....	J
AC/DC Power Adapters.....	K
DC Power Solutions.....	L
SC4200EP Radio Holsters.....	M
SC4200EP Radio Mounts.....	N
SC4400E Radio Mounts.....	O

StreamCaster 4200 Enhanced Plus

Battery Powered

SC4200EP-BB



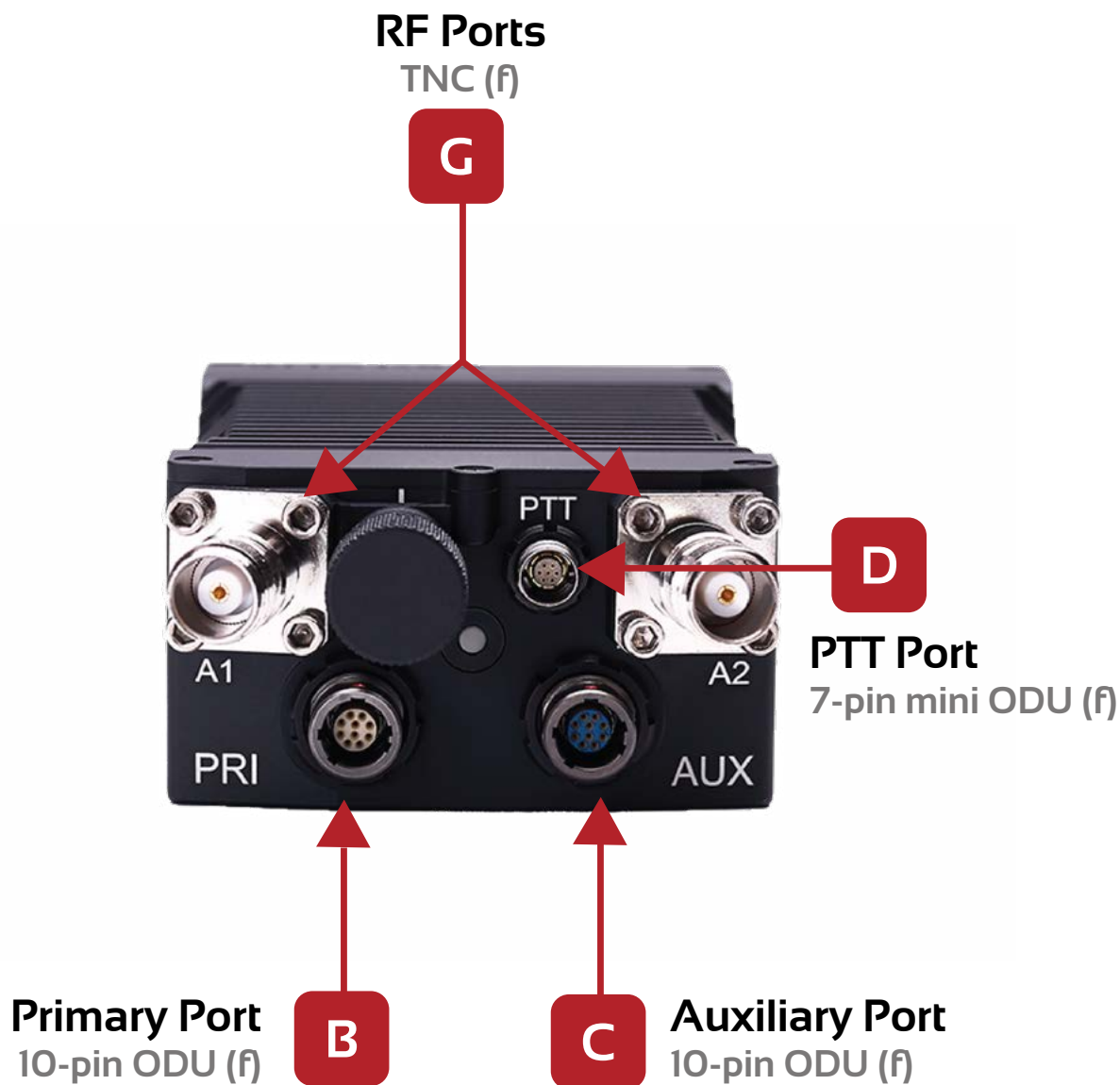
Additional Accessories:

- Radio Holsters **M**
- Radio Mounts **N**

StreamCaster 4200 Enhanced Plus

Externally Powered

SC4200EP-EB



Additional Accessories:
Radio Mounts **N**

StreamCaster 4400 Enhanced Externally Powered SC4400E



RF Ports
TNC (f)

G

Primary Port
10-pin ODU (f)

B



PTT Port
7-pin mini ODU (f)

D

C

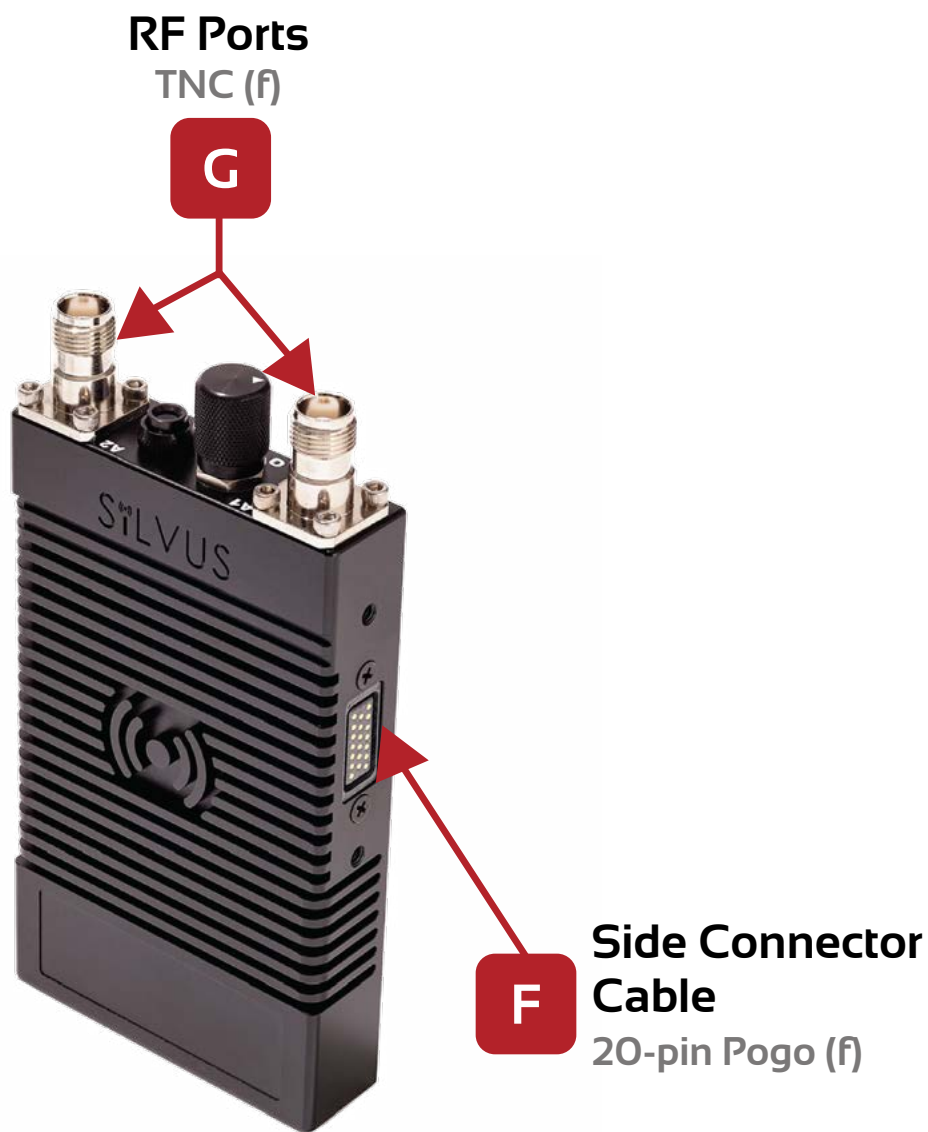
Auxiliary Port
10-pin ODU (f)

Additional Accessories:
Radio Mounts 

StreamCaster 4200 Lite

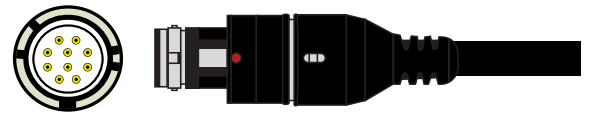
Externally Powered

SL4200



StreamCaster 4000 Series Primary Port Accessories

Compatible Radios:
SC4200EP-BB



10-pin ODU (m)

The SC4200EP-BB Primary Port provides 1 x Ethernet and 1 x RS232 interface.
The following cables and accessories are compatible.

Product Name/PN	Image (Not shown at actual size)	Reference Accessory/Description
PRI/AUX Connector Cover SC-IO-CON-COVER-ODU		
Primary Cable SC-PRICBL-B-6		RS232 6-pin Switchcraft (f) Ethernet RJ45 (m)
Primary Cable SC-PRICBL-D-1.5 SC-PRICBL-D-6 (6 ft)		Ethernet RJ45 (m)
Modular Primary Cable SC-PRICBL-MOD-C-1		RS232 6-pin Switchcraft (f) Ethernet 6-pin Switchcraft (m)
Modular Ethernet Cable SC-PRICBL-MOD-D-1		Ethernet 6-pin Switchcraft (m)
Blunt Cut Primary Cable SC-PRICBL-F-6H (6 ft.) SC-PRICBL-F-20H (20 ft.)		Unterminated wires for soldering into cable harnesses or installing custom connectors

StreamCaster 4000 Series Primary Port Accessories

Compatible Radios:

SC4200EP-EB; SC4400E



10-pin ODU (m)

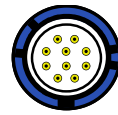
The SC4200EP-EB and SC4400E Primary Ports provide 1 x Ethernet and 1 x RS232 interface. They also provide DC input to power the radio. The following cables and accessories are compatible.

Product Name/PN	Image (Not shown at actual size)	Reference Accessory/Description
PRI/AUX Connector Cover SC-IO-CON-COVER-ODU		
Primary Cable SC-PRICBL-A-6H (6 ft.) SC-PRICBL-A-12H (12 ft.) SC-PRICBL-A-15H (15 ft.) SC-PRICBL-A-25HH (25 ft.) SC-PRICBL-A-50HH (50 ft.) SC-PRICBL-A-75HH (75 ft.) SC-PRICBL-A-100HH (100 ft.)		RS232 6-pin Switchcraft (f) H Ethernet RJ45 (m) Power 2-pin Switchcraft (m) K L
Primary Cable SC-PRICBL-M-6H (6 ft.) SC-PRICBL-M-75H (75 ft.) SC-PRICBL-M-25HH (25 ft.) SC-PRICBL-M-50HH (50 ft.) SC-PRICBL-M-100HH (100 ft.)		Ethernet RJ45 (m) Power 2-pin Switchcraft (m) K L
Modular Primary Cable SC-PRICBL-MOD-A-1H		Ethernet 6-pin Switchcraft (m) I Power 2-pin Switchcraft (m) K L RS232 6-pin Switchcraft (f) H
Modular Ethernet Cable SC-PRICBL-MOD-B-1		Ethernet 6-pin Switchcraft (m) I Power 2-pin Switchcraft (m) K L
Blunt Cut Primary Cable SC-PRICBL-F-6H (6 ft.) SC-PRICBL-F-20H (20 ft.)		Underterminated wires for soldering into cable harnesses or installing custom connectors

StreamCaster 4000 Series Auxiliary Port Accessories



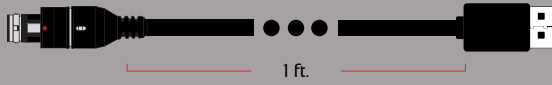

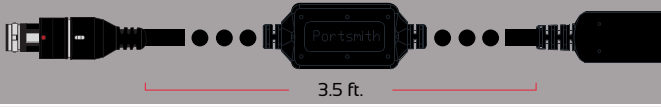
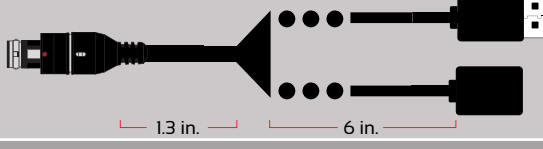

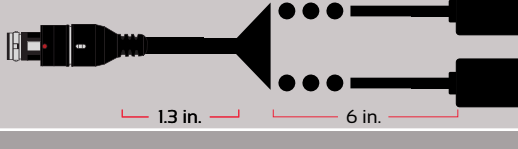


Compatible Radios:

SC4200EP-BB; SC4200EP-EB; SC4400E



10-pin ODU (m)

The StreamCaster Auxiliary Port provides 1x USB interface along with GPIO for BDA Control. The following cables and accessories are compatible. Contact your Silvus rep for Nett Warrior compatible cables.

Product Name/PN	Image (Not shown at actual size)	Reference Accessory/Description
PRI/AUX Connector Cover SC-IO-CON-COVER-ODU		
Blunt Cut Auxiliary Cable SC-AUXCBL-A-6 (6 ft.) SC-AUXCBL-A-10 (10 ft.)		Unterminated wires for soldering into cable harnesses or installing custom connectors
USB-A Client Cable SC-USB-C-ODU-1 (6 ft.) SC-USB-C-ODU-1.5 (1.5 ft.)		USB-2.0 Client Type-A
USB-C Client Cable SC-USBC-C-ODU-27I		USB-C Client for EUD
AUX USB-A to Ethernet Adapter SC-AUX-ETH-RGD		Ethernet RJ45 (f)
USB-A Host & Client Cable SC-USB-HC-ODU-1		USB-2.0 Client Type-A USB-2.0 Host Type-A J
USB-A Host Cable SC-USB-H-ODU-1 (1 ft.) SC-USB-H-ODU-2 (2 ft.)		USB-2.0 Host Type-A J
USB-A 2X Host Cable SC-USB-HH-ODU-1		USB-2.0 Host Type-A J USB-2.0 Host Type-A J
Ruggedized WiFi Dongle SC-WIFI-DNGL3-RGD-ODU		Dual WiFi bands: 802.11acWave2; 802.11a,b,g,n Supports WEP and WPA3/WPA2/WPA
Ruggedized WiFi/GPS Dongle SC-WG-DNGL-ODU		Features 1" flex neck GPS accurate to 2.5m

StreamCaster 4000 Series

Push-To-Talk (PTT)

Accessories

Compatible Radios:

SC4200EP-BB; SC4200EP-EB; SC4400E



7-pin mini ODU (m)

Through the PTT Port, SC4200EP and SC4400E radios can connect to external headsets, speaker mics, or 3rd party radios (RoIP tethering). Radio Over IP (ROIP) Accessories Available - Contact your Silvus Rep for more information.

Product Name/PN	Image (Not shown at actual size)	Reference Accessory/Description
PTT CONNECTOR COVER SC42-PTT-CON-COVER		
BLUNT CUT PTT CABLE SC-PTT-S-BC		See PTT Pinout in User Manual for more details.
U328 TO ODU PTT CABLE SC-6PIN-PTT-2A		US328 NATO 6-pin (m)
PTT ADAPTER FOR 3.5MM HEADPHONES SC-HS4-PTT-ODU		3.5mm jack - audio input/output 2.5mm jack *Includes PTT button (shown)
HANDSET PTT SC-HS3-PTT-ODU		Optional Ear Piece with 18" Kevlar reinforced coil cable
DUAL PTT CONTROLLER SC-DPPT-AS-INIC-18		Two channel PTT controller for accessing separate voice channels Compatible with: SC-HSD-AS-CYSC COMTAC V Headset

StreamCaster 4000 Series Battery Port Accessories

Compatible Radios:
SC4200EP-BB

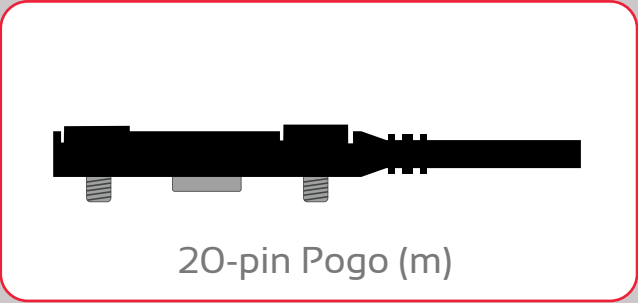


Through the Battery Port, attach a high density Li-ion battery, or connect to external power supply via 2-pin Switchcraft.

Product Name/PN	Image (Not shown at actual size)	Reference Accessory/Description
Battery Eliminator Cable SC-BAT-ELIM-36V-3 Not compatible with SC42A0		Power 2-pin Switchcraft (m) K L 10-36V DC in; 3.5A continuous 12V DC out
Battery Eliminator Cable SC-BAT-ELIM-3		Power 2-pin Switchcraft (m) K L Unregulated power
6.8 Amp Hour Twist Lock Battery SC-BAT-TWST-6.8		

StreamCaster 4000 Series Side Connector Cables

Compatible Radios:
SL4200

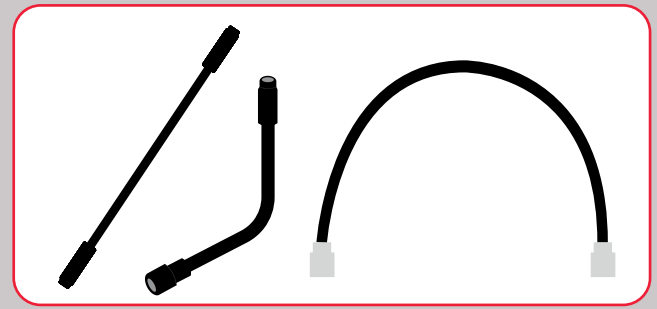


20-pin Pogo (m)

Through its multi-purpose Side Connector, the SL4200 can connect and stream data through Ethernet, serial, or USB connected devices.

Product Name/PN	Image (Not shown at actual size)	Reference Accessory/Description
Blunt Cut Cable SL42-CBL-BC	6 ft.	Provides custom wiring connections to power, USB OTG, USB Host, RS232
USB-C-PD I/O Cable SL42-CBL-PD-USB-HC	6 in. 6 in.	USB-C plug (Power) J USB-2.0 Client Type-A USB-2.0 Host Type-A J
DC Power I/O Cable SL42-CBL-SW-USB-HC	6 in. 6 in.	Power 2-pin Switchcraft (m) K L USB-2.0 Client Type-A USB-2.0 Host Type-A J
DC Power I/O w/ Serial SL42-CBL-SW-S-USB-H-12	6 in. 6 in.	Power 2-pin Switchcraft (m) K L RS232 6-pin Switchcraft (f) H USB-2.0 Host Type-A J
DC Power I/O Cable w/ Serial and SW USB SL42-CBL-SW-S-USB-HS-12	6 in. 6 in.	Power 2-pin Switchcraft (m) K L RS232 6-pin Switchcraft (f) H USB 2.0 Host 4-pin Switchcraft J

StreamCaster 4000 Series RF Cables and Coaxial Goosenecks



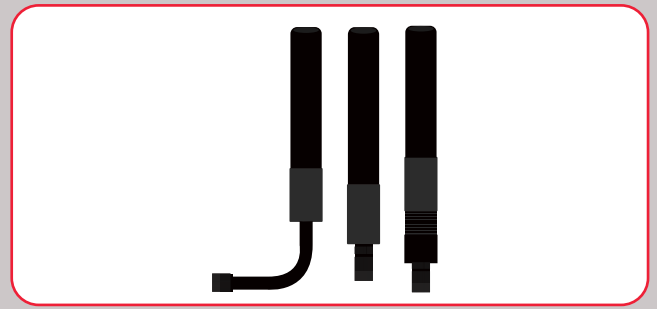
RF Extension Cables

Part Number	Cable Type	Connector Type	Length
CBL240 (.24" Diameter)	LMR240	TNC(m/f);TNC(m/f) to N(m/f); TNC(m/f) to SMA(m/f)	2 ft., 3 ft., 6 ft., 10 ft.
CBL400 (.40" Diameter)	LMR400	TNC(m/f);TNC(m/f) to N(m/f); TNC(m/f) to SMA(m/f)	10ft; Custom length options

Coaxial Cables

Part Number	Cable Type	Connector Type	Length
GSNCK-9-NMTM	Semirigid Coax Gooseneck	N(m) to TNC(m)	9 in.
GSNCK-12-NMTM	Semirigid Coax Gooseneck	N(m) to TNC(m)	1 ft.
GSNCK-12-TMTM	Semirigid Coax Gooseneck	TNC(m) to TNC(m)	1 ft.
GSNCK-15-TMTM	Semirigid Coax Gooseneck	TNC(m) to TNC(m)	15 in.
GSNCK-15-NMTM	Semirigid Coax Gooseneck	N(m) to TNC(m)	15 in.

StreamCaster 4000 Series Low Gain Dipole Omni Antennas



360 Degree pattern; Wide elevation beamwidth; Vertical polarity; No ground plane required.

Product Name/PN	Frequency Band(s)	Gain (dBi)	Vertical BW	Base	Connector
AOV2S040S-TM	340-470 MHz	2	80	Spring	TNC(m)
AOV2S042S-TM	400-450 MHz	2	79	Spring	TNC(m)
AOV2S163G-TM	675-2600 MHz	2	75	Gooseneck	TNC(m)
AOV2S091-TM	902-928 MHz	2	77	Rigid	TNC(m)
AOV2S091G-TM	902-928 MHz	2	77	Gooseneck	TNC(m)
AOV2S091S-TM	902-928 MHz	2	77	Spring	TNC(m)
AOV2S192-TM	1350-2500 MHz	1.5	58	Rigid	TNC(m)
AOV2S192G-TM	1350-2500 MHz	1.5	58	Gooseneck	TNC(m)
AOV2S192S-TM	1350-2500 MHz	1.5	58	Spring	TNC(m)
AOV2D140470G-TM	1350-1450 + 4400-5000 MHz	2	63	Gooseneck	TNC(m)
AOV2S209-TM	1980-2200 MHz	2	70	Rigid	TNC(m)
AOV2S209G-TM	1980-2200 MHz	2	70	Gooseneck	TNC(m)
AOV2S209S-TM	1980-2200 MHz	2	70	Spring	TNC(m)
AOV2S230HG-TM	2100-2500 MHz	2	78	Heatshrinked Gooseneck	TNC(m)
AOV2D230515F-TF	2100-2500 + 4400-5900 MHz	2.15/2.5	77	Flange	TNC(f)
AOV2D230515G-SM	2100-2500 + 4400-5900 MHz	2.15/2.5	77	Gooseneck	SMA(m)
AOV2D230515-SM	2100-2500 + 4400-5900 MHz	2.15/2.5	77	Gooseneck	SMA(m)
AOV2D235515-TM	2200-2500 + 4400-5900 MHz	2.3/2.6	59	Rigid	TNC(m)
AOV2D235515F-TF	2200-2500 + 4400-5900 MHz	2.3/2.6	78	Flange	TNC(m)
AOV2D235515G-TM	2200-2500 + 4400-5900 MHz	2.3/2.6	69	Gooseneck	TNC(m)
AOV2D235515S-TM	2200-2500 + 4400-5900 MHz	2.3/2.6	73	Spring Base	TNC(m)
AOV2S520-TM	4400-6000 MHz	2.15	77	Rigid	TNC(m)
AOV2S520G-TM	4400-6000 MHz	2.15	77	Gooseneck	TNC(m)
AOV2S520S-TM	4400-6000 MHz	2.15	77	Spring	TNC(m)

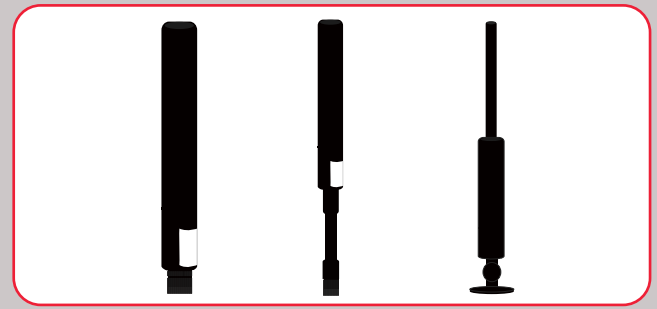
StreamCaster 4000 Series Medium Gain Dipole Omni Antennas



360 Degree pattern; Good compromise between gain and elevation beamwidth.

Product Name/PN	Frequency Band(s)	Gain (dBi)	Vertical BW	Polarity	Base	Connector
AOH4D4-137235FS-NF	1350-1390 MHz + 2200-2500 MHz	3.7/3.8	40	Horizontal	Flange	N(f)
AOV4D4-137235FS-NF	1350-1390 MHz + 2200-2500 MHz	3.5/4	39	Vertical	Flange	N(f)
AOV4S149F-TF	1350-1440 MHz	4	45	Vertical	Flange	TNC(f)
AOV4S137S-TM	1350-1390 MHz	4	45	Vertical	Spring	TNC(m)
AOV4S235F-TF	2200-2500 MHz	4	37	Vertical	Flange	TNC(f)
AOV4S235S-TM	2200-2500 MHz	4	37	Vertical	Spring	TNC(m)
AOV4S235-TM	2200-2500 MHz	4	37	Vertical	Rigid	TNC(m)
AOV4D2355I5S-TM	2200-2500 MHz + 4400-5875 MHz	4/6	42	Vertical	Spring	TNC(m)
AOV4D2355I5G-TM	2200-2500 MHz + 4400-5875 MHz	4/6	42	Vertical	Gooseneck	TNC(m)
AOV4D6-235470FS-NF	2200-2500 MHz + 4400-5000 MHz	4/6	37/19	Vertical	Flanged Spring	N(f) NATO
AOV6D7-235470FS-NF	2200-2500 MHz + 4400-5000 MHz	6/7	29	Vertical	Flanged Spring	N(f) NATO
AOV4S470F-TF	4400-5000 MHz	4	37	Vertical	Flange	TNC(f)
AOV4S470S-TM	4400-5000 MHz	4	37	Vertical	Spring	TNC(m)
AOV4S470-TM	4400-5000 MHz	4	37	Vertical	Rigid	TNC(m)
AOV4S550S-TM	5150-5850 MHz	4	30	Vertical	Spring	TNC(m)

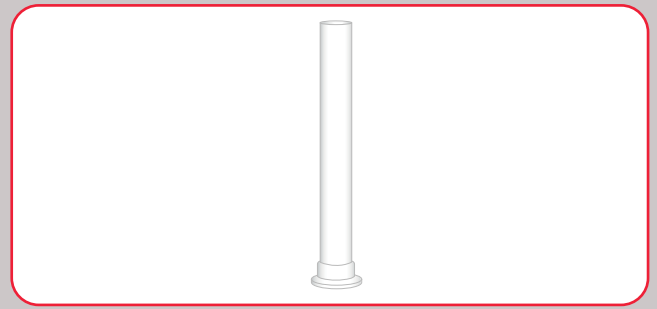
StreamCaster 4000 Series High Gain Dipole Omni Antennas



360 Degree pattern; High gain for maximum coverage radius.

Product Name/PN	Frequency Band(s)	Gain (dBi)	Vertical BW	Polarity	Base	Connector
AOM5DI85500	700-3000 + 4000-6000 MHz	5	180	Multi-Polarized	Bulkhead	N(f)
AOV6SI37-TM	1350-1390 MHz	6	25	Vertical	Rigid	TNC(m)
AOV6SI37S-TM	1350-1390 MHz	6	25	Vertical	Spring	TNC(m)
AOV6SI37F-NF	1350-1390 MHz	6	25	Vertical	Flange	N(f)
AOV6SI37F-TM	1350-1390 MHz	6	25	Vertical	Flange	TNC(f)
AOV6SI77S-TM	1700-1850 MHz	6	360	Vertical	Spring	TNC(m)
AOV6S235-TM	2200-2500 MHz	6	30	Vertical	Rigid	TNC(m)
AOV6S235S-TM	2200-2500 MHz	6	30	Vertical	Spring	TNC(m)
AOV6S235F-TF	2200-2500 MHz	6	30	Vertical	Flange	TNC(f)
AOV5S235-TM	2200-2500 MHz	5	50	Vertical	Rigid	TNC(m)
AOH5S235-TM	2200-2500 MHz	5	50	Horizontal	Rigid	TNC(m)
AOV5S235G-TM	2200-2500 MHz	5	50	Vertical	Gooseneck	TNC(m)
AOH5S235G-TM	2200-2500 MHz	5	50	Horizontal	Gooseneck	TNC(m)
AOV5S235S-TM	2200-2500 MHz	5	50	Vertical	Spring	TNC(m)
AOH5S235S-TM	2200-2500 MHz	5	50	Horizontal	Spring	TNC(m)
AOV5S235F-TF	2200-2500 MHz	5	50	Vertical	Flange	TNC(f)
AOH5S235F-SF	2200-2500 MHz	5	50	Horizontal	Flange	SMA(f)
AOH5S235F-SF	2200-2500 MHz	5	50	Horizontal	Flange	SMA(f)
AOH5S235F-TF	2200-2500 MHz	5	50	Horizontal	Flange	TNC(f)
AOV5S470-TM	4400-5000 MHz	5	50	Vertical	Rigid	TNC(m)
AOH5S470-TM	4400-5000 MHz	5	50	Horizontal	Rigid	TNC(m)
AOV5S470G-TM	4400-5000 MHz	5	50	Vertical	Gooseneck	TNC(m)
AOH5S470G-TM	4400-5000 MHz	5	50	Horizontal	Gooseneck	TNC(m)
AOV5S470S-TM	4400-5000 MHz	5	50	Vertical	Spring	TNC(m)
AOH5S470S-TM	4400-5000 MHz	5	50	Horizontal	Spring	TNC(m)
AOV5S470F-TF	4400-5000 MHz	5	50	Vertical	Flange	TNC(f)
AOH5S470F-TF	4400-5000 MHz	5	50	Horizontal	Flange	TNC(f)
AOH5S470F-SF	4400-5000 MHz	5	50	Horizontal	Flange	SMA(f)
AOH5S470F-SF	4400-5000 MHz	5	50	Horizontal	Flange	SMA(f)
AOV6S470-TM	4400-5000 MHz	6	30	Vertical	Rigid	TNC(m)
AOV6S470S-TM	4400-5000 MHz	6	30	Vertical	Spring	TNC(m)
AOV6S470F-TF	4400-5000 MHz	6	30	Vertical	Flange	TNC(f)
AOV6S520-TM	5150-5250 MHz	6	30	Vertical	Rigid	TNC(m)
AOV6S520S-TM	5150-5250 MHz	6	30	Vertical	Spring	TNC(m)
AOV6S520F-TM	5150-5250 MHz	6	30	Vertical	Flange	TNC(f)
AOV6S555-TM	5250-5850 MHz	6	30	Vertical	Rigid	TNC(m)
AOV6S555S-TM	5250-5850 MHz	6	30	Vertical	Spring	TNC(m)
AOV6S555F-TM	5250-5850 MHz	6	30	Vertical	Flange	TNC(f)
AOV6D7-235470FS-NF	2200-2500 MHz + 4400-5000 MHz	6/7	29	Vertical	Flange/Spring	N(f)
AOH6D6-235470FS-NF	2200-2500 MHz + 4400-5000 MHz	6/7	29	Horizontal	Flange/Spring	N(f)

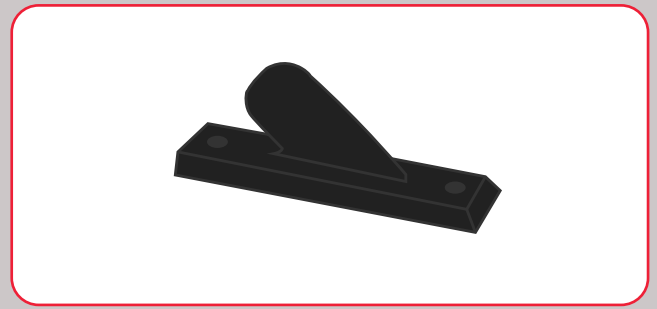
StreamCaster 4000 Series 2x2 MIMO Omni Antennas



2xSMA(f) connectors; Dual polarity (Horizontal and Vertical); 3dBi gain.

Product Name/PN	MIMO	Frequency Band(s)	Gain	Vertical BW	Can be installed on Ground Plane
AO2D3S235F-SF	2X2	2200-2500 MHz	3	30	No
AO2D3S235FP-SF	2X2	2300-2500 MHz	3	30	Yes
AO2D3S465FP-SF	2X2	4400-4900 MHz	3	26	Yes
AO2D3S465F-SF	2X2	4400-4900 MHz	3	26	No
AO2D3S500F-SF	2X2	4700-5300 MHz	3	26	No
AO2D3S500FP-SF	2X2	4700-5300 MHz	3	26	Yes

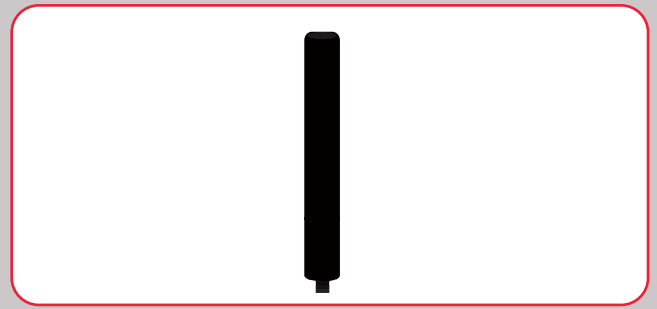
StreamCaster 4000 Series Miniature Blade Antennas



Aerodynamic, Hemispherical/mushroom pattern, 3dBi gain, SMA(f) connector, Ground plane required.

Product Name/PN	Frequency Band(s)	Gain (dBi)	Vertical BW	Recommended Ground Plane Diameter (1 wavelength)
ABV3S340-SF	800-6000 MHz	3	180	14.749 in
ABV3S091-R	891-941 MHz	3	180	13.243 in
ABV3S144-R	1350-1550 MHz	3	180	8.740 in
ABV3S235-R	2200-2500 MHz	3	180	5.363 in
ABV3S470-R	4400-5000 MHz	3	180	2.681 in
ABV3S565-R	5400-5900 MHz	3	180	2.185 in

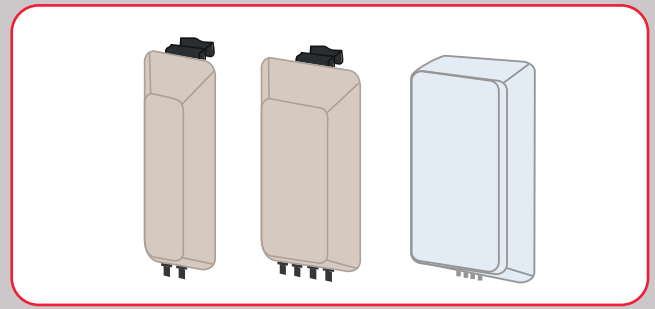
StreamCaster 4000 Series Cylindrical Sector Antennas



Compact form factor; Wide horizontal beamwidth; Narrow vertical beamwidth;
Vertical polarity; 12dBi gain; TNC(m) connector

Product Name/PN	Frequency Band(s)	Vertical BW	Horizontal BW	Base
ASVI2S235-TM	2200-2500 MHz	18	117	Rigid
ASVI2S235S-TM	2200-2500 MHz	18	117	Spring
ASVI2S485-TM	4400-5300 MHz	18	110	Rigid
ASVI2S485S-TM	4400-5300 MHz	18	110	Spring

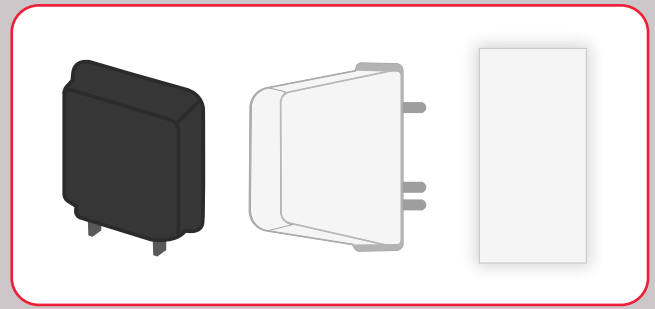
StreamCaster 4000 Series MIMO Sector Antennas



Wide horizontal beamwidth; Narrow vertical beamwidth; Dual slant polarity;
2x2 and 4x4 versions available; N(f) connectors.

2x2 MIMO					
Product Name/PN	MIMO	Frequency Band(s)	Gain (dBi)	Vertical BW	Horizontal BW
AS2DI25235-NF	2 x 2	2200-2500 MHz	12	12	120
AS2DI25470-NF	2 x 2	4400-5000 MHz	12	12	120
AS2DI55235-NF	2 x 2	2200-2500 MHz	15	8	90
AS2DI65470-NF	2 x 2	4400-5000 MHz	16	8	90
4x4 MIMO					
Product Name/PN	MIMO	Frequency Band(s)	Gain (dBi)	Vertical BW	Horizontal BW
AS4DI25140-NF	4 x 4	1350-1450 MHz	12	10	120
AS4DI25235-NF	4 x 4	2200-2500 MHz	12	12	120
AS4DI25470-NF	4 x 4	4400-5000 MHz	12	12	120
AS4DI55235-NF	4 x 4	2200-2500 MHz	15	8	90
AS4DI65470-NF	4 x 4	4400-5000 MHz	16	8	90
AS4DI65245	4 x 4	2400-2500 MHz	16	8	90
AS4DI65545	4 x 4	5100-5800 MHz	16	7	90

StreamCaster 4000 Series Patch Antennas



Directional pattern; SISO, 2x2 and 4x4 models available.

SISO

Product Name/PN	MIMO	Frequency Band(s)	Gain (dBi)	Vertical BW	Horizontal BW	Polarity	Connector
APM4S31I-TM	SISO	225-6000 MHz	4	60	180	Multi	TNC(m)
APM5S235-TM	SISO	2200-2500 MHz	5	90	90	Multi	TNC(m)

2X2 MIMO

Product Name/PN	MIMO	Frequency Band(s)	Gain (dBi)	Vertical BW	Horizontal BW	Polarity	Connector
AP2D9S470-TF	2 x 2	4400-5000 MHz	9.3	50	67	Dual Slant	TNC(f)
AP2D9S210-NF	2 x 2	1700-2500 MHz	9	62	74	Dual Slant	N(f)
AP2D23S475-NF	2 x 2	4400-5100 Mhz	23	11	11	Horizontal / Vertical	N(f)
AP2D19S235-NF	2 x 2	2200-2500 MHz	19	18	18	Horizontal / Vertical	N(f)
AP2D10S470-TF	2 x 2	4400-5000 MHz	10	56	56	Dual Slant	TNC(f)
AP2D10S225-TF	2 x 2	2200-2300 Mhz	10	56	56	Dual Slant	TNC(f)
AP2D12S195-NF	2 x 2	1700-2200 MHz	12	38	65	Horizontal / Vertical	N(f)
AP2D23S550-NF	2 x 2	5100-5900 MHz	23	8	8	Horizontal / Vertical	N(f)
AP2D8D245538-NF	2 x 2	2400-2500 + 4900-5850 Mhz	8/10	90	57	Horizontal / Vertical	N(f)

4X4 MIMO

Product Name/PN	MIMO	Frequency Band(s)	Gain (dBi)	Vertical BW	Horizontal BW	Polarity	Connector
AP4D19S235-NF	4 x 4	2200-2500 MHz	19	16	16	Horizontal / Vertical	N(f)
AP4D9S470-TF	4 x 4	4400-5000 MHz	9.3	50	67	Dual Slant	TNC(f)
AP4D23S475-NF	4 x 4	4400-5000 MHz	23	11	11	Horizontal / Vertical	N(f)
AP4D10S230-NF	4 x 4	2100-2500 MHz	10	60	60	Horizontal / Vertical	N(f)
AP4D10S210-NF	4 x 4	1700-2500 MHz	9.8	64	64	Horizontal / Vertical	N(f)
AP4D19S470-NF	4 x 4	4400-5000 MHz	19	18	18	Horizontal / Vertical	N(f)
AP4D19S550-NF	4 x 4	5100-5900 MHz	19	20	20	Horizontal / Vertical	N(f)

StreamCaster 4000 Series RS232 Accessories

Compatible Radios:

SC4200EP-BB; SC4200EP-EB;
SC4400E; SL4200



6-pin Switchcraft (m)

Connect StreamCaster MANET radios to compatible Serial Port devices including computers, peripherals and GPS modules. Connects to SC4000 primary cable and SL4200 side cable.

Product Name/PN	Image (Not shown at actual size)	Reference Accessory/Description
Switchcraft to DB9 Adapter Cable SC-SW-DB9		9-pin Serial Port for Data Connections
Serial GPS Receiver SC-GPS2-SW-1 (1 ft.) SC-GPS2-SW-6 (6 ft.)		GPS module accurate to 2.5m

StreamCaster 4000 Series Ethernet Accessories

Compatible Radios:

SC4200EP-BB; SC4200EP-EB; SC4400E



6-pin Switchcraft (f)

Choose between multiple cable options to create high-speed wired network connections to Ethernet cameras and other IP devices. Connects to SC4000 modular cable.

RJ45 Options

Product Name/PN	Image (Not shown at actual size)	Reference Accessory/Description
Modular RJ-45 Ethernet SC-BW-ETH-12 (1 ft.) SC-BW-ETH-6 (6 ft.)		Ethernet RJ45 (m)

Extension Options

Product Name/PN	Image (Not shown at actual size)	Reference Accessory/Description
Coiled Extension SC-BWC-EXT-C-24		Ethernet 6-pin Switchcraft (m)
Straight Extension SC-BWC-EXT-S-16 (16 in.) SC-BWC-EXT-S-36 (36 in.)		Ethernet 6-pin Switchcraft (m)

Camera Options

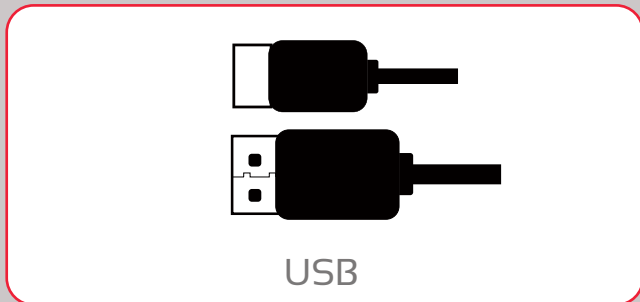
Product Name/PN	Image (Not shown at actual size)	Reference Accessory/Description
OBSCURA XP HD IP Camera CAM-OXP-ES-R Streaming & Onboard Recording		Click Here for more information
Inline SD Video Encoder SC-IP-ENC-SD Encodes NTSC or PAL Composite Video & Audio to an H.264 IP Stream.		Includes 600mm BNC cable for connecting to radio and video source

StreamCaster 4000 Series USB Accessories

Compatible Radios:

SC4200EP-BB; SC4200EP-EB;

SC4400E; SL4200



Connect StreamCaster MANET radios to a variety of USB enabled accessories including external battery & AC power, Ethernet and WiFi

USB Client Type A Options

Product Name/PN	Image (Not shown at actual size)	Reference Accessory/Description
USB 2.0 to Ethernet Adapter SC-USB-ETH-ADP-A	(f)	Ethernet RJ45 (f) Connects to: SL42-CBL-SW-S-USB-HS-12 and SL42 cables USB Host port
USB WiFi Dongle SL-WIFI-DNGL3	(f)	USB 2.0 WIFI Dongle; Dual-Band (802.11ac Wave 2 Wireless AC) Connects to SC-USB-H cables, and SL42 USB Host port

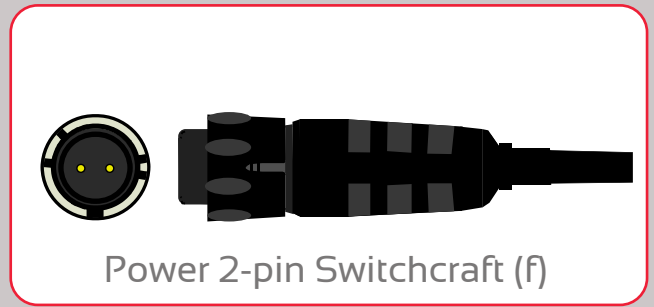
SL4200 USB Power Options

Product Name/PN	Image (Not shown at actual size)	Reference Accessory/Description
61W AC Adapter SL-AC-PD-RV-61W		RAVPower 61W (3A/9V) USB-C PD single port AC charger (US AC plug, 100V-240V 50/60Hz 1.5A). Folding AC plug for storage
USB-C 9V PD Battery Power Pack SL-BAT-PD-TS30K		Provides power to SL4200 radio via SL42-CBL-PD-USB-HC cable. Techsmarter (3A/9VDC) 30,000mAh Rugged (IP66) 45W PD Power Pack/ Bank. Includes 12" charging cable (USB-C to USB-C)

StreamCaster 4000 Series AC/DC Power Adapters

Compatible Radios:

SC4200EP-BB; SC4200EP-EB;
SC4400E; SL4200



Power 2-pin Switchcraft (f)

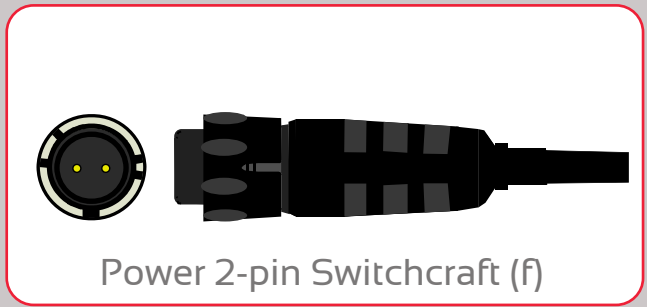
Choose from a variety of AC/DC Power Adapters for Indoor/Outdoor Environments.

AC Power Supply - Rugged		
Product Name/PN	Image (Not shown at actual size)	Reference Accessory/Description
AC Power Supply, 120W, 12VDC SC-AC-PWR-RGD-120		Supports all StreamCaster radios except 20W. Type B NA plug; EU plug version available.
AC Power Supply, 225W, 15VDC SC-AC-PWR-RGD-225H		80-264 VAC input with Type B NA plug, 47-63Hz; 15 VDC @ 15A output. EU plug version available. Supports all radio models.
AC Power Supply, 240W, 19VDC SC-AC-PWR-RGD-240H-19V		20 VDC @12A output; Adjusted to 19±0.1 VDC @12A output; Type B NA plug; EU plug version available. Designed for long cable runs. Supports all radio models.
AC Power Adapter – Non-Rugged		
Product Name/PN	Image (Not shown at actual size)	Reference Accessory/Description
AC Power Adapter SC-AC-PWR Not compatible with SC4480, SC42A0, and SC44K0; Can be used with SC4210, SC4240 and SC4410		Indoor 60W power supply. 12V (5A) output 90-264 VAC input. Type B NA plug.
AC to DC Converters		
Product Name/PN	Image (Not shown at actual size)	Reference Accessory/Description
AC/DC/POE Power Adapter SC-AC-PWR-RGD-POE-3 SC-AC-PWR-RGD-POE-5H		POE-3: AC in, 120W DC out to radio, 60W POE out to connected device POE-5: AC in, 120W DC out to radio, 60W POE out to connected device. Requires radio cable - sold separately

StreamCaster 4000 Series DC Power Solutions

Compatible Radios:

SC4200EP-BB; SC4200EP-EB;
SC4400E; SL4200



Power 2-pin Switchcraft (f)

Choose from a variety of DC Power Solutions for operational flexibility.
Connect to the primary cable or battery elim cable to power the radio.

External Power & Battery Options

Product Name/PN	Image (Not shown at actual size)	Reference Accessory/Description
Pigtail Power Cable SC-DC-SW-6H (6 ft.) SC-DC-SW-20H (20 ft.)		Blunt Cut DC power cable connection provides custom wiring options (16 AWG; up to 13A capacity)
Car Power Adapter SC-CIG-PWR Not compatible with SC4240, SC42A0, and SC44KO; Can be used with SC4210 and SC4410		12V DC Cigarette power adapter. 15A fused; 5A rated
BB2590 Battery Adapter SC-APCBLO2-4		16G Power cable, connectorized for BB2590 battery. Cable is 20AWG; 11.4VDC Nominal
BB2590 Battery Adapter SC-BAT-ADPTR-BB-19VH		19V Regulated output, 18AWG Power Cable connectorized for BB2590 battery. Supports SC44KO (20W) and all other SC4000 radios
Dual Twist-lock Battery Adapter SC-BAT-ADPTR-DUAL-12VH		12V Output Compatible with SC-BAT-TWST-6.8
BB2590 Battery SC-BB2590		8.7 Ah, Rechargeable Lithium-Ion Battery. Requires SC-APCBLO2-4 to connect to the radio's power connectors.
Dual Battery Charger SC-BAT-TWST-CHGR-2		2 bay MBITR battery charger for charging SC-BAT-TWST-6.8 Built-in charge indicators. Includes power block and 3 prong AC plug cable (6 ft.)

E

DC to DC Converters & Power Supply

Product Name/PN	Image (Not shown at actual size)	Reference Accessory/Description
DC to DC Converter SC-DREG2-PWR-16-35 SC-DCREG2-PWR-40-60 Not compatible with SC44KO radios		16-35V; 40-60V DC in 12VDC @ 10A out Switchcraft 2-pin female (output) and male (input)

StreamCaster 4000 Series Radio Holsters

Compatible Radios:

SC4200EP-BB; SC4200EP-EB



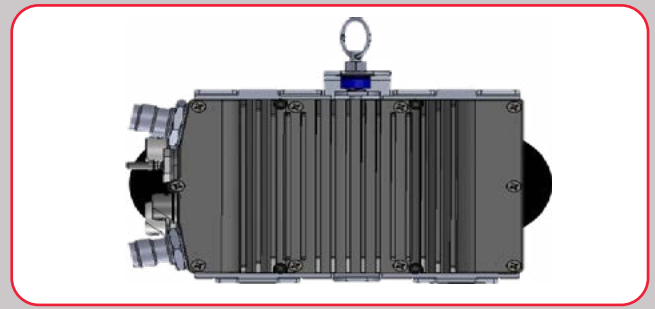
Choose from a variety of tactical Holster and Pouch options – designed to accommodate SC4200 Battery or Externally powered MANET radios.

Product Name/PN	Image (Not shown at actual size)	Reference Accessory/Description
MOLLE Holster SC42-HLSTR-BK		Rugged, lightweight holster. Mounts via PALS/MOLLE webbing Increased airflow, allowing radio to run cooler. Features Boa Fit System for secure fit.
MOLLE Pouch SC42-MOLLE-BK		MOLLE Pouch with YKK Zippered bottom for battery access IRR 500D Cordura material - Black
Tactical Pouch SC42-POUCH-BK		Lightweight ballistic nylon pouch with belt, bag, pack straps

StreamCaster 4000 Series SC4200 Radio Mounts

Compatible Radios:

SC4200EP-BB; SC4200EP-EB

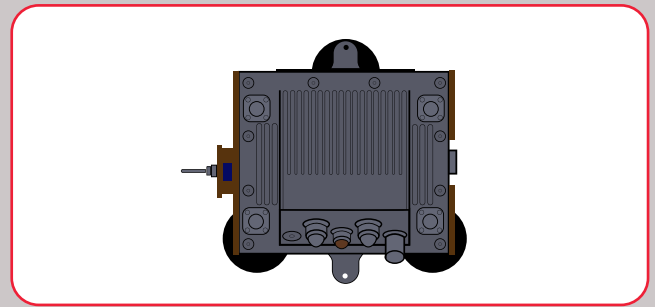


Choose from a variety of Mount options including permanent, quick release and magnetic – providing operational flexibility.

Product Name/PN	Image (Not shown at actual size)	Reference Accessory/Description
Basic Mounting Plate SC42-BSCPLT		Enables mounting SC4200 to any flat surface, includes mounting hardware.
Quick Release Mounting Plate SC42-QRPLT		For use with Quick-release Mounting Cradle: SC42-QRCRAD Includes mounting hardware.
Quick Release Mounting Cradle SC42-QRCRAD		Requires Quick Release Mounting Plate: SC42-QRPLT
Quick Release Mounting Kit SC42-QRMNT-KIT		Includes : - SC42-QRCRAD Quick Release Mounting Cradle - SC42-QRPLT Quick Release Mounting Plate
Quick Release Mounting Kit Magnetic SC42-QRMNT-KIT-MAG		Includes all components of Quick Release Mounting Kit with rubberized neodymium magnets
Structure Magnetic Mounting Kit SC42-STMNT-KIT-MAG		For use on metallic surfaces, poles or trees Includes: - Radio Magnetic Plate - Twist-lock Battery Mounting Bracket - Rubberized Straps (1, 2, 3 ft.) - Mounting Plate
Tripod Adapter Mount SC4-TRPADP		Attaches SC4200 or SC4400 to any standard 1/4-20 camera mounting system. Black powder coated. Includes mounting screws.
Single Radio Pole Mount U Bracket SC4-UBRKT		Attaches to all SC4000 series radio brackets – mounts – mounts to poles from 1" in diameter. Includes mounting hardware. Various size pipe clamps sold separately. Compatible with Quick Release Mounting Kit

StreamCaster 4000 Series SC4400E Radio Mounts

Compatible Radios:
SC4400E



Choose from a variety of Mount options including permanent, quick release and magnetic – providing operational flexibility.

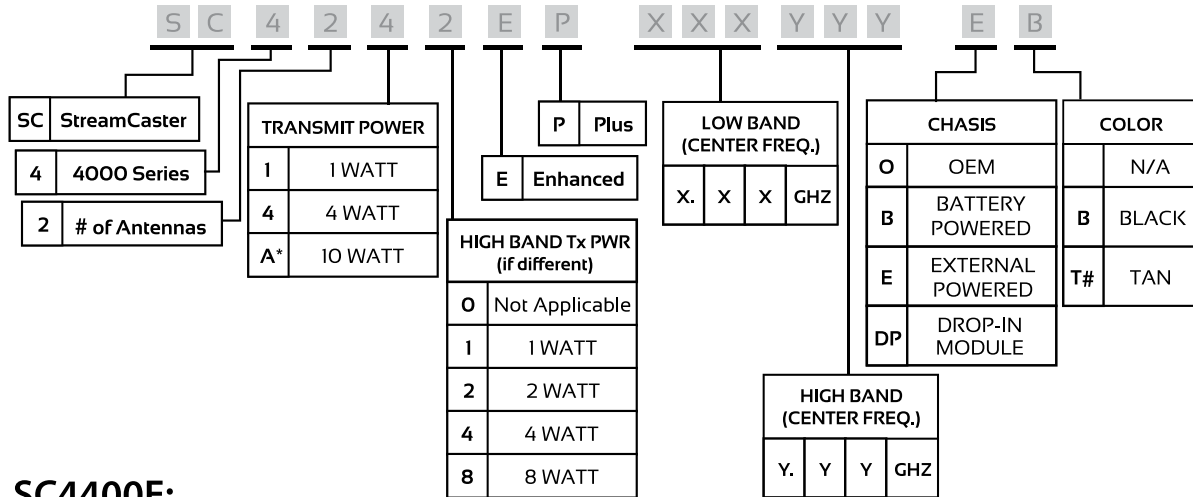
Product Name/PN	Image (Not shown at actual size)	Reference Accessory/Description
Universal Mounting Plate SC44-QRPLT-U		Enables mounting SC4400 to any flat surface, includes mounting hardware. Required for use with Quick-Release Mounting Cradle: SC44-QRCAD
Quick Release Mounting Cradle SC44-QRCRAD		For use with Universal Mounting Plate. SC44-QRPLT-U Includes mounting hardware
Quick Release Mounting Kit SC44-QRMNT-KIT		Includes: - SC44-QRCRAD Quick Release Mounting Cradle - SC44-QRPLT-U Quick Release Mounting Plate
Quick Release Mounting Kit Magnetic SC44-QRMNT-KIT-MAG		Includes all components of Quick Release Mounting Kit with rubberized neodymium magnets
NATO Mount Riser MBSM-NATO-6i		6" riser NATO for mounting SC4200 or SC4400 MANET radios to any surface. Features 4 & 6 hole base pattern on 6" riser pipe that is 2.0" OD. Black anodized
Tripod Adapter Mount SC4-TRPADP		Attaches SC4200 or SC4400 to any standard 1/4-20 camera mounting system. Black powder coated. Includes mounting screws.
Single Radio Pole Mount U Bracket SC4-UBRKT		Attaches to all SC4000 series radio brackets – mounts to poles from 1" in diameter. Includes mounting hardware. Various size pipe clamps sold separately. Compatible with Quick Release Mounting Kit

StreamCaster 4000 Series

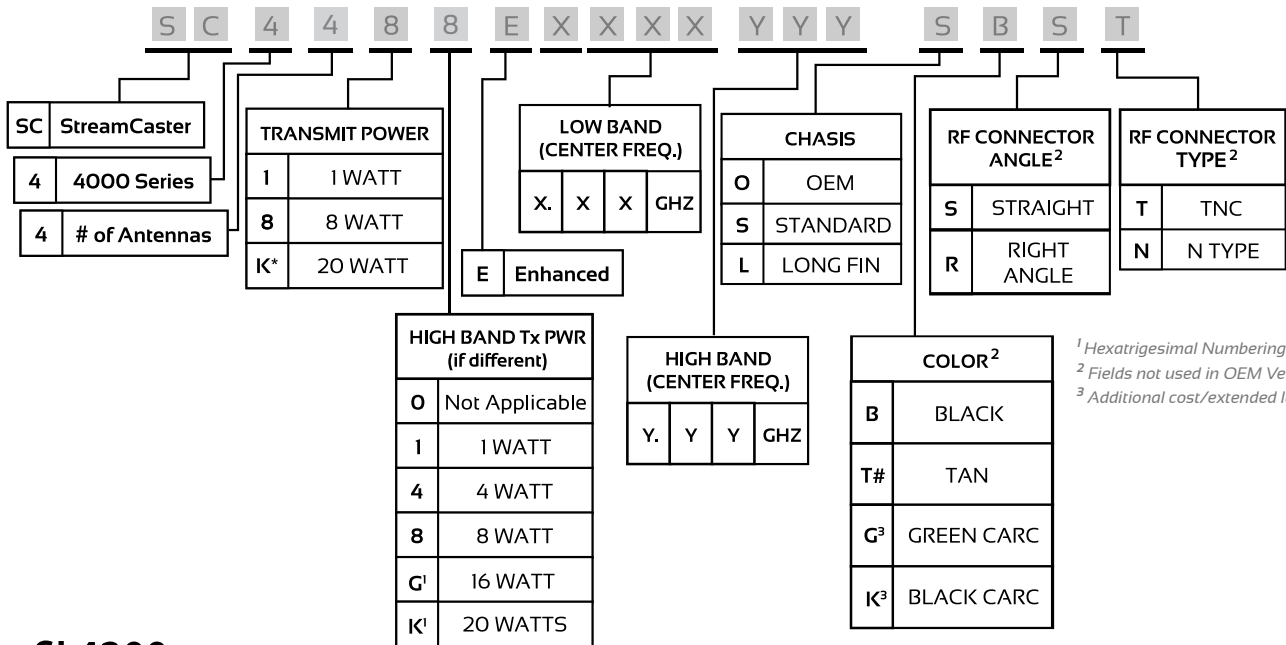
MANET Radios

Part Number Legend

SC4200EP:

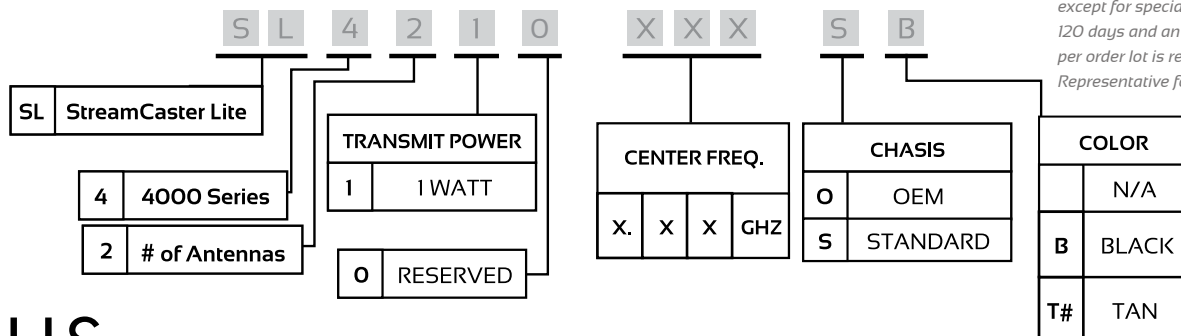


SC4400E:



¹ Hexatrigesimal Numbering (0-35)
² Fields not used in OEM Version
³ Additional cost/extended lead times apply.*

SL4200:

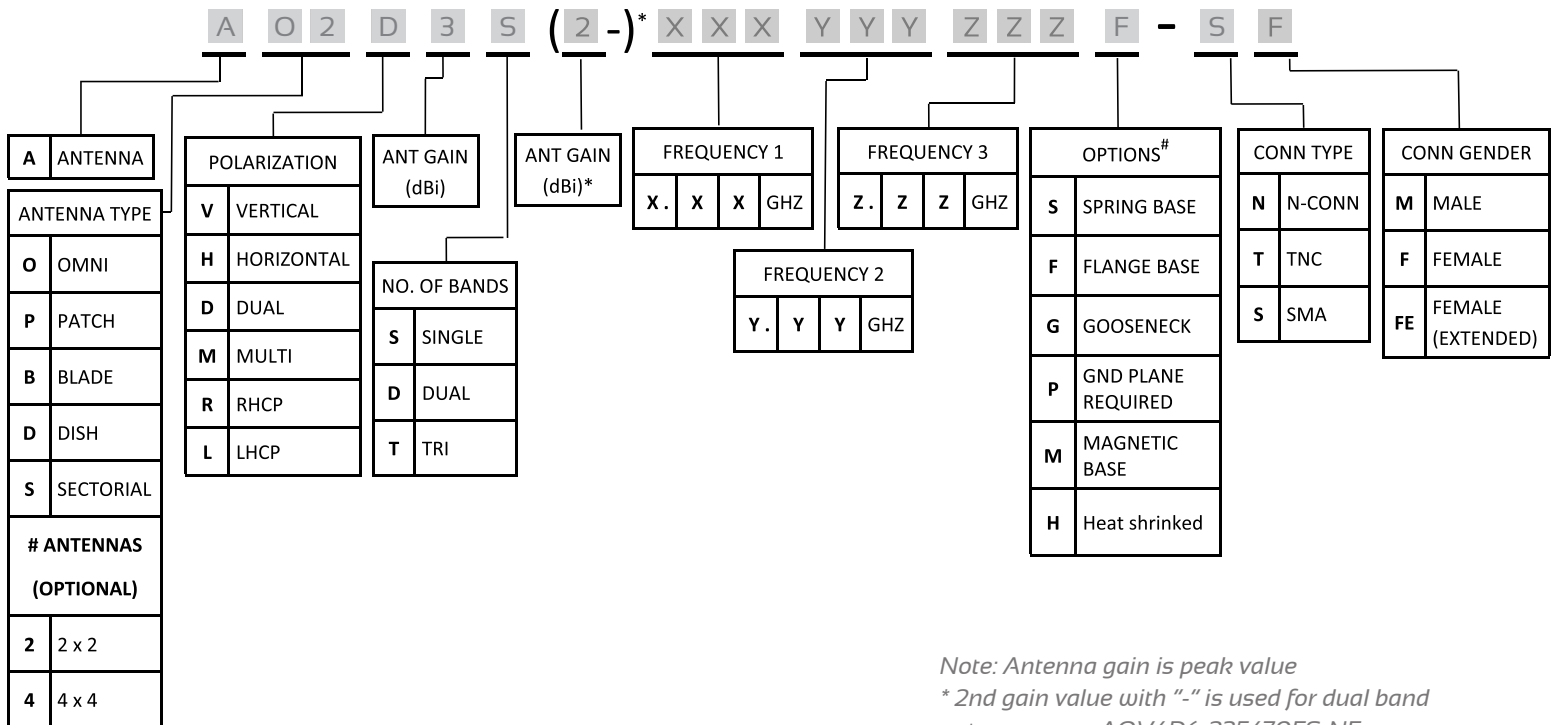


*Special note: *Tan color is not available except for special circumstances; lead times are 120 days and an additional charge of \$2500 per order lot is required. Contact your Sales Representative for availability.

StreamCaster 4000 Series

Antenna

Part Number Legend

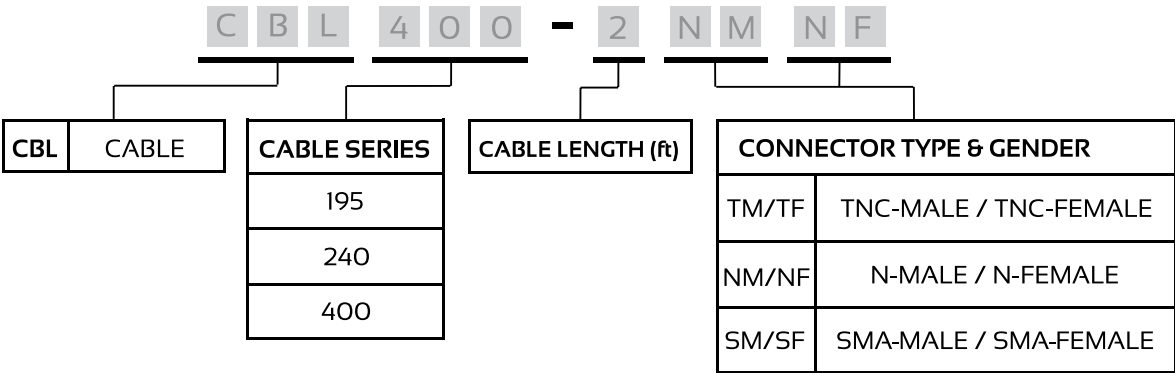


Note: Antenna gain is peak value
 * 2nd gain value with "-" is used for dual band antennas; e.g., AOV4D6-235470FS-NF
 # Options can be used in combination (e.g., flanged spring base = FS, or HG = heat shrunked gooseneck)

StreamCaster 4000 Series

Coaxial Cable

Part Number Legend



SILVUS TECHNOLOGIES

Access the [Silvus Customer Support Portal](#) to download firmware updates, manuals, datasheets and other technical publications.

Contact Us:

www.silvustechnologies.com

info@silvustechnologies.com

+1 (310) 479-3333

