

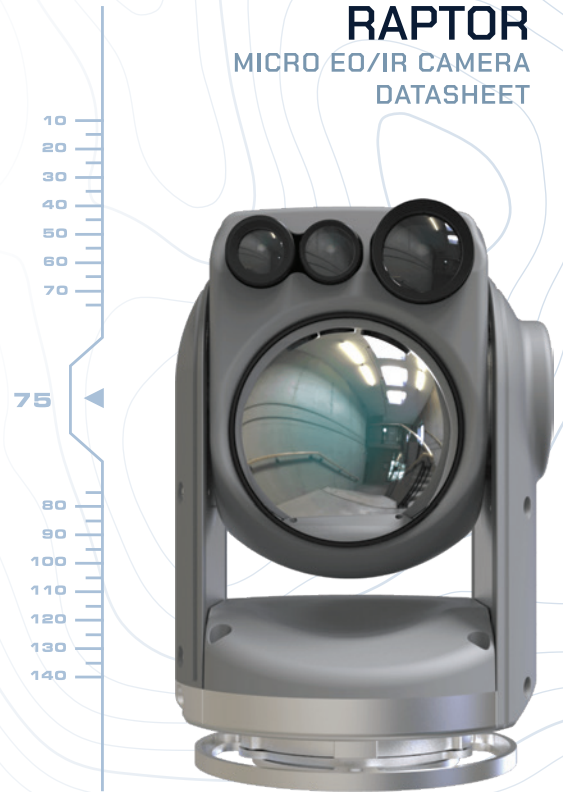
### Field-proven stabilized camera for defense, security, and industrial applications.

The Raptor is part of a family of EO/IR sensors, leading in the field of micro-stabilized gimbal cameras. Constantly pushing new technological advancements, we offer a wide range of field-proven stabilized cameras and accessories seamlessly integrated on our Unmanned Aerial Systems.

### About the Raptor EO/IR camera

The Raptor is a dual EO/IR stabilized camera built for long-range observation using high-res day & night vision, featuring an increased IR range and unparalleled X80 zoom.

The lightweight design combined with our modular UAS platforms enables long-endurance & long-range operations with AI software capabilities to enhance real-time intelligence. The Raptor offers advanced image quality to capture detailed imagery, such as license plates and faces, from distances up to 4 kilometer.

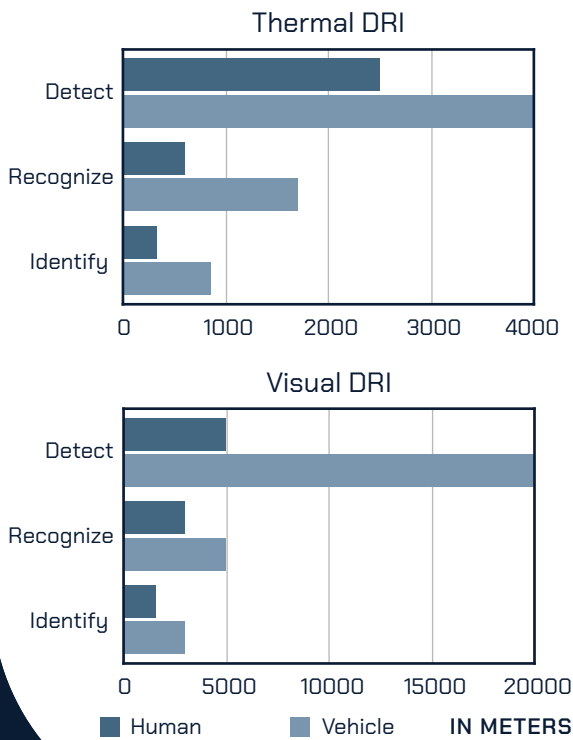
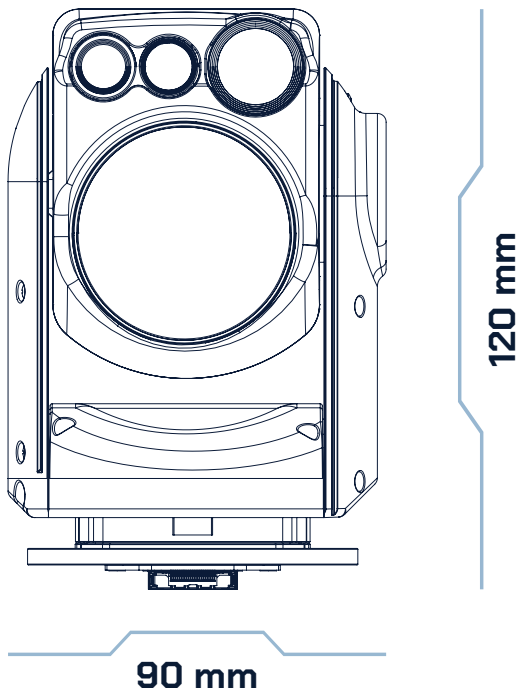


**X80**  
STABILIZED ZOOM



**HIGH-RES**  
DAY/NIGHT VISION





Geometrical DRI according to Johnson's criteria

<b>Visible Camera [EO]</b>	CONFIGURATION 1
Visible	400-700 nm
Resolution:	1280x720
Continuous Zoom:	X80 [X40 optical + X2 digital]
HFOV:	60° WFOV   1.5° NFOV   0.75° DFOV
<b>Visible Camera [EO]</b>	CONFIGURATION 2
Visible	400-700 nm
Resolution:	1920x1080
Continuous Zoom:	X54 [X27 optical + X2 digital]
HFOV:	60° WFOV   2.2° NFOV   1.1° DFOV
<b>Thermal Camera [IR]</b>	
LWIR uncooled	8-14 μm
Resolution:	1280x720
Continuous Zoom:	X8 digital
HFOV:	17.5° W.FOV   2.2° D.FOV
<b>Field Of Regard</b>	
Pan:	360°
Tilt:	-45° to +80°
<b>Control Interface</b>	RS-232
<b>Video Interface</b>	Micro-HDMI
<b>Stabilization</b>	< 50 μrad
<b>Power Requirement</b>	15-32 VDC
<b>Power Consumption</b>	10 Watt
<b>Weight</b>	640 grams
<b>Temperature</b>	-20°C [-4°F] to +55°C [+131°F]

Tel: +31 (0)344 607968  
 Mail: info@heighttechnologies.com  
 Web: www.heighttechnologies.com

